

ENGINE POWERED ARTICULATING BOOM LIFTS

AB22J PLUS (AB710J PLUS)

Compliant with CE/EAC/AS standards

HIGHLIGHTS

3 Heavy-duty Loading Capacities

- 230 kg (unrestricted) / 340kg (restricted) / 454kg (restricted)
- Automatic switching according to load to maximize machine performance, providing a balance between large operating range and high operating efficiency

Reliable Performance

- 4-wheel powerful AC drive, with a gradeability of up to 40%, and strong outdoor climbing ability
- Continuous 360 ° turntable rotation, for more flexible and efficient operation
- Active oscillating function in both operating and non-operating states, and a tilt rating of up to 5 °, providing adaptability to more rugged road surfaces and strong field operation ability

Flexible and Efficient

- Shorter than a telescopic boom lift, it can easily cross obstacles, work more flexibly, and has a wider range of applications
- Can be transported by tow trucks, for convenient, low-cost transportation
- Can be transported directly in containers with low transportation costs



Standard Features		
Active oscillating function	Four-wheel brake	7-in smart screen
Continuous turntable rotation in 360°	Automotive sleeves for all pipes	Fault diagnosis system
Hydraulic leveling for platform	Platform rotation function	Weighing system
Tilt protection system	Max allowable tilt angle at 5°	Rear position and travel confirmation
Rotating warning light for safety warning	Horn and buzzer for safety warning	Voice broadcast
Emergency stop system	Emergency lowering system	Mechanical release for travel braking
Proportional control with 3 joysticks	Platform with inward swinging gate (2.44×0.91×1.1 m)	Four-wheel steering
Anti-pinch device	Manual storage box	Tool box(for platform with inward swinging gate)
AC power line to the platform		
Options & Accessories		
Telematics-ready connector	Solid tire	Non-marking tire
Working light on the platform	Anti-collision device	Hydraulic generator
Glass bracket(for platform with inward swinging gate)	Half-height guardrail (for platform with inward swinging gate)	

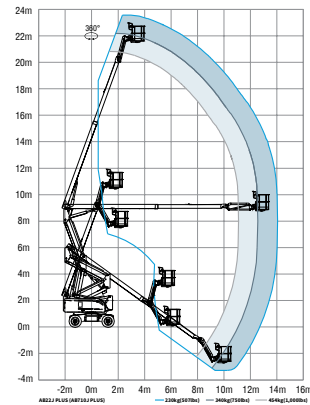
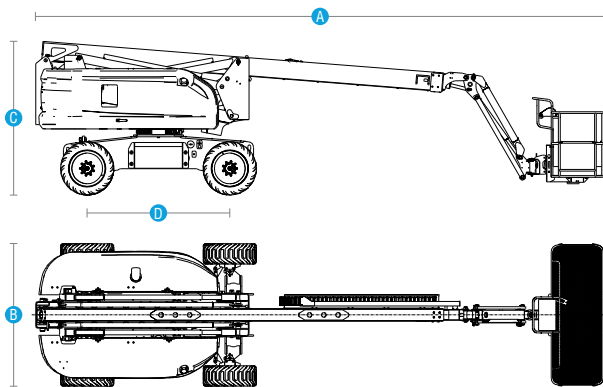


ENGINE POWERED ARTICULATING BOOM LIFTS

AB22J PLUS (AB710J PLUS)

Compliant with CE/EAC/AS standards

Model	AB22J PLUS (AB710J PLUS)
Dimensions	
Max Platform Height	21.6 m (70'10")
Max Working Height	23.6 m (77'5")
Max Horizontal Reach (230 kg/340 kg/454 kg)	13.35 m/11.85 m/10.4 m (43'10"/38'11"/34'2")
Max Horizontal Working Envelope (230 kg/340 kg/454 kg)	13.95 m/12.45 m/11 m (45'9"/40'10"/36'1")
Max Up and Over Clearance	8.9 m (29'2")
A Stowed Length	9.95 m (32'8")
B Machine Width	2.49 m (8'2")
C Stowed Height	2.68 m (8'10")
Stowed Length (Transport)	7.73 m (25'4")
Stowed Height (Transport)	2.95 m (9'8")
D Wheelbase	2.49 m (8'2")
Ground Clearance	0.42 m (1'4")
Platform Size (L×W×H)	2.44 m × 0.91 m × 1.1 m (8' × 3' × 3'7")
Performance	
Max Platform Capacity (Restricted/ Restricted /Unrestricted)	454 kg/340 kg /230 kg (1,000 lbs/750 lbs/507 lbs)
Max Platform Occupants	2 persons(Unrestricted)/ 3 persons(Restricted)
Drive Speed (Stowed)	0~4.8 km/h (0~3 mph)
Drive Speed (Raised)	0~1.1km/h (0~0.68 mph)
Gradeability	40%
Turntable Rotation	360°/Continuous
Platform Rotation	180°
Tilt Rating	5°
Turning Radius(Inside/Outside)- Two-wheel steering	2.4 m/5.55 m (7' 10"/ 18' 3")
Turning Radius(Inside/Outside)- Four-wheel steering	1.63 m/3.59 m (5' 4"/ 11' 9")
Turntable Tail-Swing	0.89 m(2' 11")
Max Allowable Side Force	400 N (90 lbf)
Max Allowable Wind Speed	12.5 m/s (28 mph)
Tire Spec/Type	355/55D625 (foam-filled) 36×14-20 (solid)
Power	
Drive × Steer	4WDx2WS (4WS)
Engine	36.4 kW /2200 rpm/D2.9 L4 / Deutz /EU Stage V /EPA Tier 4F 36 kW/2200 rpm/ F2.8CS449 / Cummins / China T4 43 kW/2500 rpm/QSF2.8T3NA60 / Cummins / China T3, EU Stage 3A 36.8 kW/2200 rpm/YCF3050 / Yuchai /China T4 36.5 kW/2200 rpm/YCF3050 / Yuchai /China T3
Hydraulic Tank Capacity	130 L (28.6 gal (UK)/34.3 gal (US))
Diesel Tank Capacity	100 L (22.0 gal (UK)/26.4 gal (US))
Control Voltage	12 V DC
Weight	
Weight (Two/Four-wheel steering)	11,880 kg/12,000 kg (26,190 lbs/26,455 lbs)
Standards Compliance	
CE/EAC/AS	



We reserve the right to make specification. The above represents the current specifications at time of publications. 12. 2024



HONEST, RELIABLE & REACTIVE
SOLUTIONS FOR WORKING AT HEIGHT



CONTACT US

0800 865 4455

info@hiresafe.com

www.hiresafe.com

