

XGS70K

Telescopic boom lift

FEATURES

MEASUREMENTS

69.6m working height
Up to 230/300/460kg lift capacity

PRODUCTIVITY

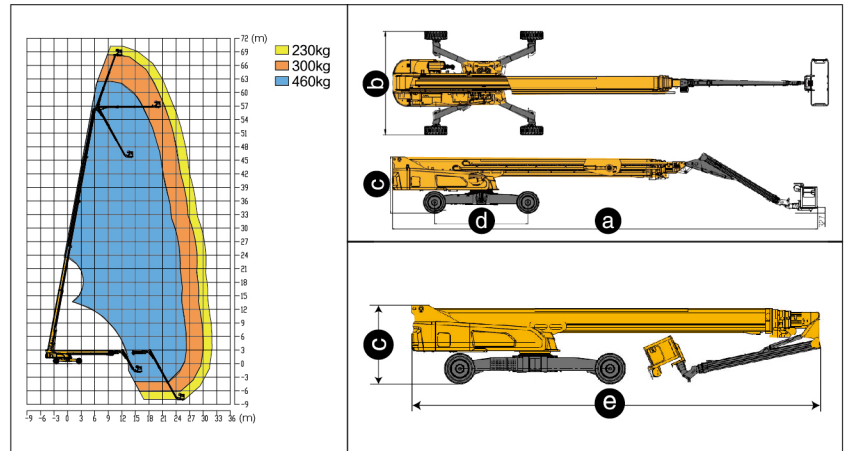
2.4x0.9m working platform
4 driving wheels
4 steering wheels
35% theoretical gradeability
360°continuous turntable rotation
160°platform rotation
Tilt alarm
Drive alarm
Enable switch
Overload alarm
Hourmeter recorder
Lift and lower alarm
Turntable control box
Chassis tilt protection device
Wire rope anti-loosening detection system
Wind speed monitoring protection device
Load and amplitude limit detection system
Platform automatic leveling system
Fully proportional multi-function controls

POWER

Cummins 74kW/(2200r/min)
12V DC emergency power

OPTIONS

Tool tray
Platform working light
Foam-filled rough terrain tires
AC power to the platform
Platform anti-collision device



Item	Unit	XGS70K
Working Height	m	69.6
Platform Height	m	67.6
Working radius	m	32
Lift capacity	kg	230/300/460
Occupant Capacity	-	3
Boom luffing range	°	0 ~ 79.5
Fly jib luffing range	°	-61 ~ 70
Turntable rotation	°	360
Platform rotation	°	160
Drive Speed (retracted/extended)	km/h	4.5/0.2~0.5
Turning Radius axle retracted (inside/outside)	m	7.8/9.7
Turning Radius axle extended (inside/outside)	m	2.7/6.9
Tailswing	mm	2100
Ground clearance	mm	300
Gradeability	%	35
Tires	-	445/55-25 R28
Power source	-	Cummins
Rated power	kW/(r/min)	74 (2200)
Fuel tank	L	210
Hydraulic tank	L	340
Weight	kg	35400
Platform size	mm	2400x900
Transportation dimension	mm	16000x2490x3070
a Length	mm	23150
b Width	mm	5500
c Height	mm	3070
d Wheelbase (axle retracted/axle extended)	mm	5889(5080)

