

# SR626E

## ELECTRIC COMPACT ROUGH TERRAIN TELEHANDLER



- Zero emission electric compact rough terrain telehandler with lithium-ion batteries
- Full-time 4-wheel drive
- Fully enclosed cab
- Power assisted steering
- Proportional joystick
- Simple to operate & maintain



**snorkel**<sup>™</sup>  
[www.snorkellifts.com](http://www.snorkellifts.com)

# ELECTRIC COMPACT ROUGH TERRAIN TELEHANDLER

# SR626E

## CAPABILITIES SR626E\*

Max. lift capacity	2,600kg
Max. lift height (A)	5.79m
Max. forward reach	3.1m

## DIMENSIONS

Overall width (B)	1.89m
Stowed height (C)	1.93m
Length to fork face (D)**	4.19m
Wheelbase	2.5m
Ground clearance	220mm

## PERFORMANCE

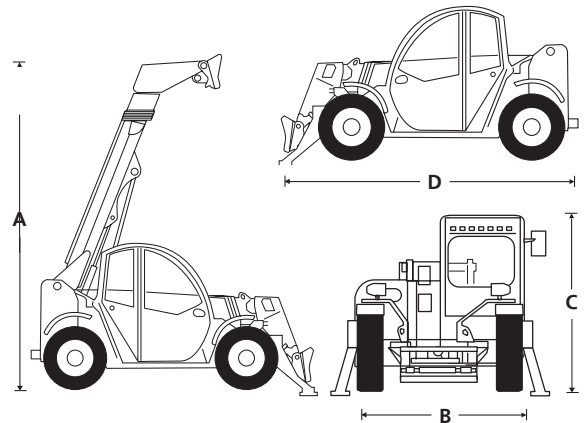
Max. drive speed	12km/h
Raise/lower time	6.9/5 sec
Hydraulic flow (per minute)	80L
Hydraulic pressure	230bar
Hydraulic oil capacity	70L
Outside turning radius	3.25m
Tyres	12 x 16.5

## POWER

Power source	Lithium-ion 80V 32kWh batteries
Operating temperature	(-)20°C to (+)45°C
Charger	on-board, single phase

## WEIGHT

Weight	4,800kg
--------	---------



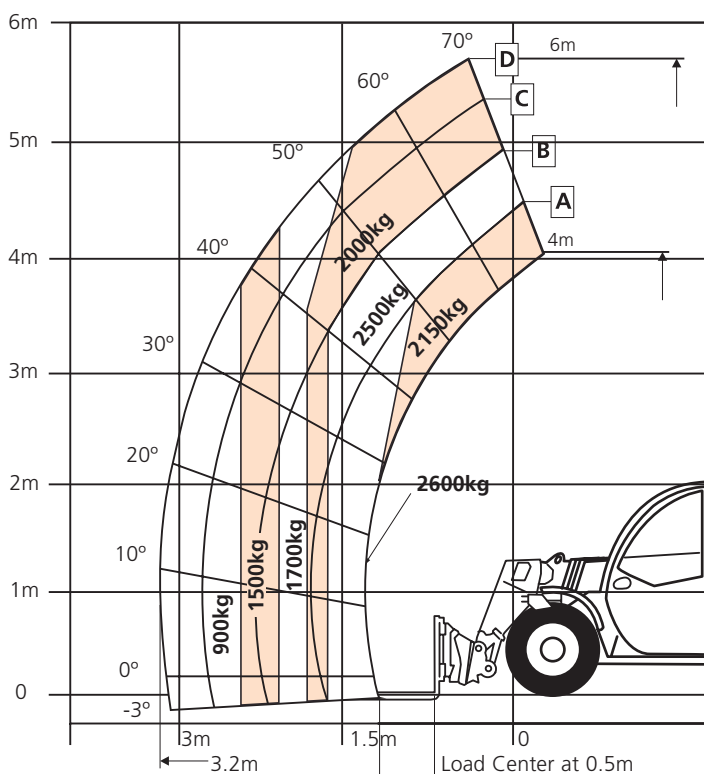
## STANDARD FEATURES

- Lithium-ion batteries
- Full-time 4-wheel drive
- 4-wheel steer - selectable front, crab & coordinated
- Auxiliary hydraulic circuit on the boom
- Variable speed hydrostatic drive
- Fully enclosed cab with heat
- Proportional joystick
- Illuminated gauge and switch panels
- Color LCD display with machine & engine diagnostics
- Adjustable suspension seat
- Fixed 1200mm carriage & 1200mm floating forks
- 2000 charging cycles/2 year \*\*\* lithium battery warranty
- 2 year parts & labour, 5 year structural warranty
- CE approved

## OPTIONS

- Special paint colours
- Euro coupling
- Grammer air suspension seat
- Front & rear LED work lights (4)
- Work lights on boom (2)
- Heated right exterior mirror
- Additional rear mirror
- Cab front glass protection grille
- Non-marking tyres 12-16.5
- Engine preheater 220V
- Boom suspension & floating boom
- Bluetooth radio, handsfree & USB socket
- Sun curtain
- Fixed tow hook 6 ton
- Snorkel OnSite™ telematics

## LOAD CHART



**snorkel**

Vigo Centre, Birtley Road,  
Washington, Tyne & Wear,  
NE38 9DA, U.K.

t: +44 (0) 845 1550 057  
e: sales.emea@snorkellifts.com

www.snorkellifts.com