

Technical data



since 77

PERFORMANCE

Working height, max. (300 kg / 400 kg)	35,00 m / 32,00 m
Working height, max. (both sides narrow)	30,00 m
Working height, max. (one side narrow)	32,00 m
Platform height (300 kg / 400 kg)	33,00 m / 30,00 m
Platform height, max. (both side narrow)	28,00 m
Platform height, max. (one side narrow)	30,00 m
Horizontal outreach, max. (400 kg)	13,00 m
Horizontal outreach, max. (300 kg)	14,00 m
Horizontal outreach, max. (140 kg)	16,00 m
Horizontal outreach, max. (both sides narrow)	14,50 m
Platform capacity, max.	400 kg
Platform capacity, max. (both sides narrow)	400 kg
Jib, movable	180 °
Platform, rotatable	180 °
Turntable rotation, max.	450 °
To be jacked up on ground slope of	16,7 ° / 30,0 %
Track drive, height- and width-adjustable	24 / 22 cm
Gradeability, max.	16,7 ° / 30,0 %
Slope angle, max.	21,0 ° / 38,0 %
Travel speed, max.	3,0 km/h

MEASUREMENTS*

Platform (height) (A)	1,10 m
Platform (length) (B)	1,20 m
Platform (width) (C)	0,80 m
Length (D)	8,00 m
Length without platform (E)	7,80 m
Height (F)	1,99 m
Width, min. (G)	1,58 m
Ground clearance, max. (H)	0,43 m
Track (length x width) (I)	1,92 x 0,25 m
Outrigger footprint both side wide (length) (J)	5,51 m
Outrigger footprint both side wide (width) (K)	5,60 m
Outrigger footprint one side narrow (length) (L)	7,55 m
Outrigger footprint one side narrow (width) (M)	4,30 m
Outrigger footprint both sides narrow (width) (N)	2,99 m
Outrigger plate (length x width)	0,31 m x 0,22 m

WEIGHT*

Total weight	5400 kg
Live load in travelling position	4.30 kN/m ²
Live load in working position	2.10 kN/m ²
Point load per outrigger plate, max.	36.00 kN

POWER SOURCES

Standard power sources:

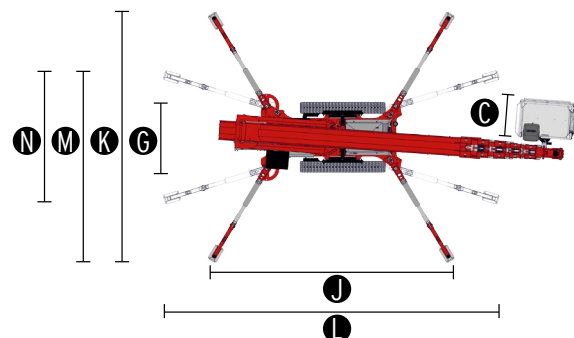
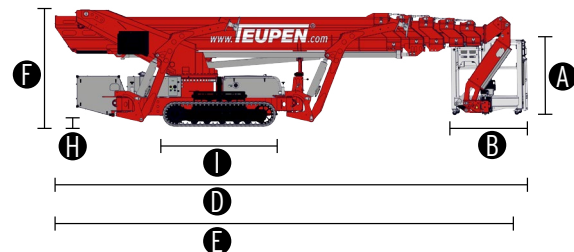
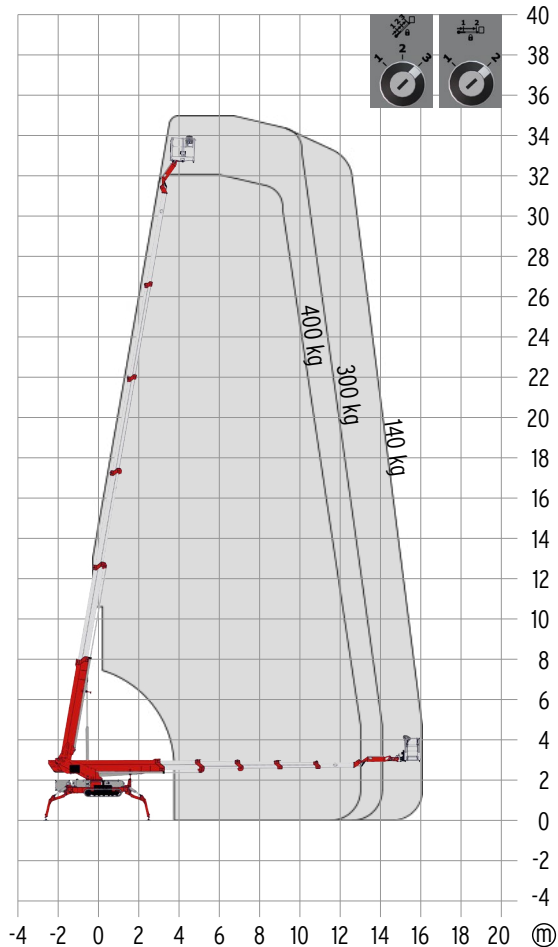
- Electric motor (country-specific 1-phase)
- Combustion engine (Diesel) Kubota D902 (16,1 kW / 21,6 hp)

Optional power source:

- Battery drive (lead acid) 80 V
- Fuel tank capacity (Diesel engine) 39,0 l

POWER SUPPLY

Electric current, max. country-specific, on request



STANDARDS

2006/42/EG-Machinery directive
 (Harmonised standard EN280:2016); 2004/108/EG (EMV);
 2000/14/EG (Noise emission directive)



HONEST, RELIABLE & REACTIVE
 SOLUTIONS FOR WORKING AT HEIGHT

CONTACT US

- ☎ 0800 865 4455
- ✉ info@hiresafesolutions.com
- 🌐 www.hiresafesolutions.com



Equipment

LEO 35T plus

TEUPEN[®]
...access redefined

since '77

CHASSIS

- Powerful track drive with hydraulic braking system
- Precise manoeuvring via sensitive remote control
- White, non-marking rubber tracks with specially arranged profile for optimal grip
- Hydraulically height- and width-adjustable crawler track drive

STABILISATION

- Electrohydraulic stabilisation with automatic levelling and ground pressure sensor system
- Variable outrigger system with one side or both sides narrow setup option
- Outrigger pads, steel

BOOM SYSTEM

- Boom system made of steel/aluminium boom tubes
- All functions available via radio remote control
- Stepless, electrical proportional control system with intuitive operation
- Robust, lockable control panel
- Parallel guided platform with electro hydraulic levelling
- 180° platform rotation for additional flexibility
- Turntable rotation via high-performance slewing ring and hydraulic motor
- Platform changing system
- Coming home and memory function - can be stored for any point on the work diagram and the point can be accessed once more at the touch of a button
- Radio control with display, two-line
- Height cut-off for boom system, 2 set points
- Horizontal outreach, selectable
- Platform capacity, selectable (300 kg / 400 kg)

POWER SOURCE

- Electric motor (country-specific 1-phase)
- Diesel engine Kubota D902 (16,1 kW / 21,6 hp)
- Start-stop device for combustion engine via radio control

PRODUCTIVITY, SAFETY, QUALITY

- Hydraulic emergency lowering via electric pump
- Additional hydraulic drive for boom recovery via platform control
- Power socket in the platform (country-specific 1-phase)
- 2 LED headlights (drive unit)
- Detachable platform, attachment points for safety harnesses and tool tray
- Drive operation without platform possible
- Lockable storage box
- Protected, internal power track for platform control
- Hydraulic system filled with biodegradable hydraulic oil
- High-quality paint in RAL 3020 (red)
 - Hydraulic cylinders in RAL 9006 (grey)
- Unlockable check valves located directly on hydraulic cylinders
- Hydraulic system protected by pressure relief valves
- Hydraulic tank, emergency control, connecting cables and hoses are mounted protected
- Display in the control panel
- Hour meter
- Fuzzy control technology

OPTIONS*

- Battery drive 80 V including charging device
 - Fillingsystem aquamatic (electrically)
- Custom paintwork, one colour, according to RAL scheme
 - (except metallic coatings, signal- or special colours)
- Custom paintwork, two colours, according to RAL scheme
 - (except metallic coatings, signal- or special colours)
- Water and air connection, platform

ACCESSORIES*

- Safety harness
- Track mat (2000 x 800 x 15 mm)
- 4 sliding pads (850 x 340 x 75 mm)
- Storage frame for sliding pads, lockable
- Snap hook, boom tubes
- 2 protective track covers made of high-quality polypropylene fabric
- Additional display in the control box
- Tree package, including
 - Cover (hydraulic tank, fuel tank, control box)
 - 4 covers, piston rod (outrigger)
- Lighting package:
 - 8 flashlights (outriggers)
 - 3 flashlights (turntable)
- 1 LED headlight (platform)
- Platform including platform support (900 x 800 mm)
- Platform including platform support (1500 x 800 mm)
- Platform including platform support (2000 x 800 mm)
- Lifting device (450 kg capacity)
 - Only in combination with additional display in the control box
- Copper strips, pivot point
- Platform ladder monitoring system with boom function cut-off
- TOP level 1

