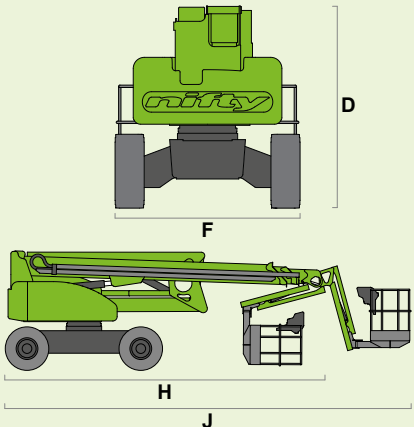
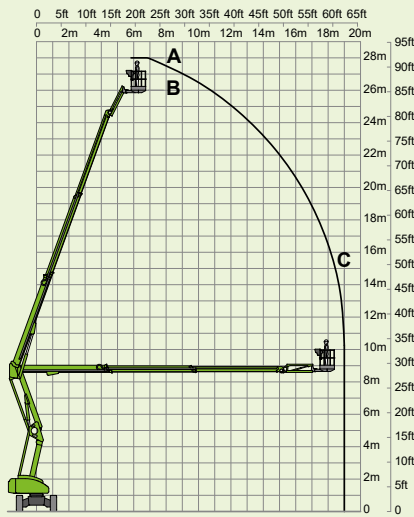


niftylift

HR28 4x4



Niftylink®



SiOPS® Gen² Hybrid
Niftylink®



(A) 28m
92ft



(B) 26m
85ft 6in



(C) 19m
62ft



280kg
620lbs



2.4m x 0.9m
7ft 10in x 2ft 11in



150°



180°



(D) 2.7m
8ft 10in



(F) 2.49m
8ft 2in



(H) 7.3m
23ft 11in



(J) 9.28m
30ft 5in



4.7km/h
3mph



5.9m
19ft 4in



35%*/40%
19°*/22°



14380kg*/14460kg
31700lbs*/31880lbs



* Hybrid²



niftylift
Chalkdell Drive, Shenley Wood,
Milton Keynes, MK5 6GF
England, United Kingdom
+44 1908 223456
sales@niftylift.com
www.niftylift.com

ISO 9001	ISO 14001	ISO 45001
QUALITY MANAGEMENT	ENVIRONMENTAL MANAGEMENT	HEALTH & SAFETY MANAGEMENT



IS-112



HONEST, RELIABLE & REACTIVE
SOLUTIONS FOR WORKING AT HEIGHT

CONTACT US

- 0800 865 4455
- info@hiresafesolutions.com
- www.hiresafesolutions.com

