

Optimum energy efficiency

Efficiency and drive&liftPLUS performance packages

Maximum visibility

Lateral battery exchange

Ergonomic and easily adjustable operating concept

Ergonomic workstation



EFG 535k/540k/540/ S40/545k/545/550/S50

**Electric four-wheel counterbalanced fork lift trucks
(3,500/4,000/4,500/4,990/5,000 kg)**

Our Series 5 electric four-wheel counterbalanced fork lift trucks with capacities from 2500 kg to 5000 kg offer the best features for the toughest indoor and outdoor applications as well as the use of a range of attachments. Moreover, our PureEnergy technology concept allows them to achieve best possible energy and cost efficiency combined with maximum performance.

PureEnergy reduces consumption while simultaneously significantly increasing throughput. We achieve this by using the most advanced 3-phase AC technology in combination with the compact controller and the compact hydraulic unit. Measurements as per the VDI cycle document: At maximum throughput, our EFG Series 5 consumes up to 20% less energy than comparable competitor models.

A choice of configuration packages with variable travel/lift speeds from the Efficiency and drive&liftPLUS modules solves your transport and stacking operations with maximum energy efficiency.

The infinitely adjustable steering column and armrest allow for adjustment to suit all operator sizes. Individual modification of the controls is very easy thanks to the single-point adaptation via 2 adjustable axes.

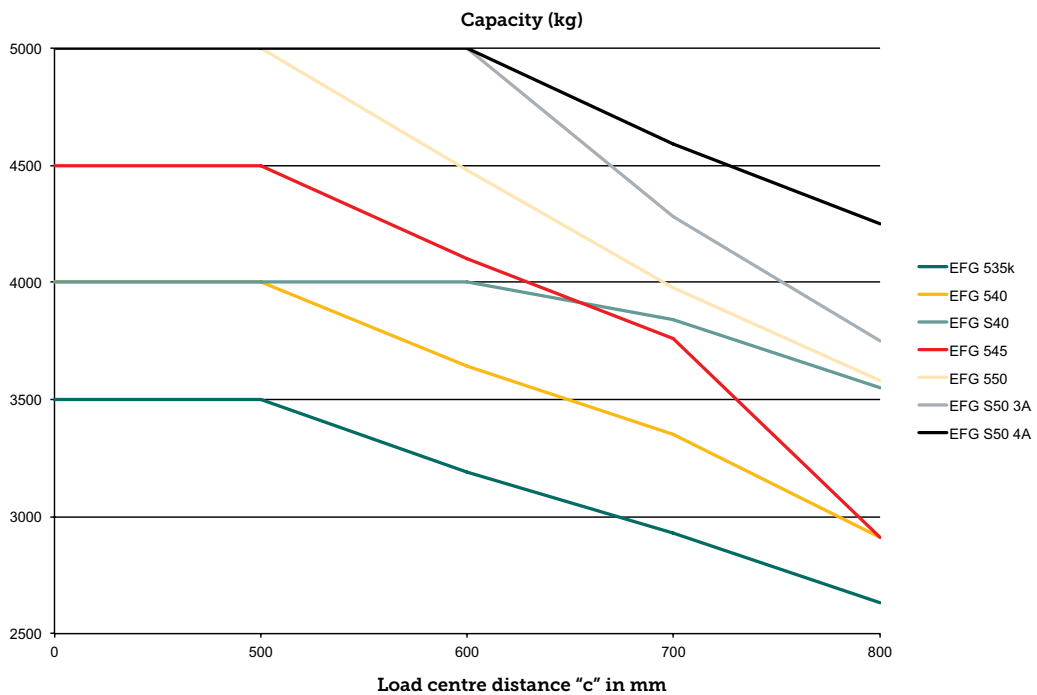
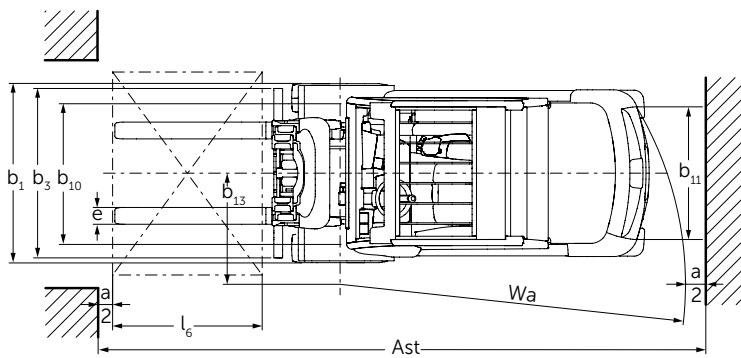
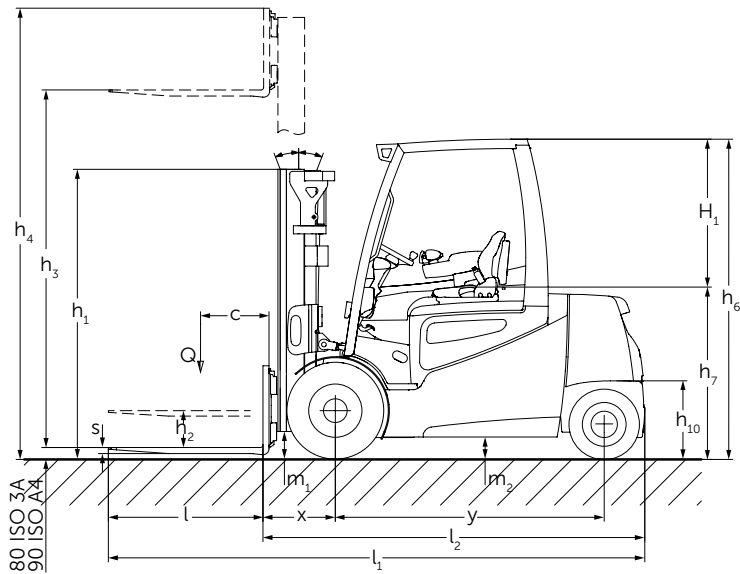
Our EFG Series 5 offers the best visibility on the market thanks to an expanded field of vision. We achieve this thanks to our compact mast, compact profile nesting, an optimised chain and hose guide as well as 2 viewing windows in the cross member.

The truck contour is closed on the operator's right side. This guarantees maximum rigidity and stability for the overall design and creates a number of storage options, e.g. for papers and a smartphone.

Thanks to proven concepts for demanding, yet energy and cost-saving applications, the EFG Series 5 trucks continue to set benchmarks.

JUNGHEINRICH

EFG 535k/540k/540/S40/545k/545/550/S50



EFG 535k/540k/540/545k/545/550/S40/S50

Standard mast designs EFG 535k/540k/540/S40/545k/545/550/S50																	
	Lift h_3 (mm)	Lowered mast height h_1 (mm)				Free lift h_2 (mm)				Extended mast height h_4 (mm)				Mast tilt forward/back α/β (°)			
		EFG 535k	EFG 540k / 540 / 545k / 545	EFG S40 / 550	EFG S50	EFG 535k	EFG 540k / 540 / 545k / 545	EFG S40 / 550	EFG S50	EFG 535k	EFG 540k / 540 / 545k / 545	EFG S40 / 550	EFG S50	EFG 535k	EFG 540k / 540 / 545k / 545	EFG S40 / 550	EFG S50
Duplex ZT	2846	-	-	-	2348	-	-	-	150	-	-	-	3819	-	-	-	6/8
	2900	2200	-	-	-	150	-	-	-	3689	-	-	-	6/8	-	-	-
	3000	-	2290	2290	-	150	150	150	-	-	3715	3858	-	-	6/8	6/8	-
	3030	-	-	-	2440	-	-	-	150	-	-	-	4003	-	-	-	6/8
	3100	2300	2348	2348	-	150	150	150	-	3889	3823	3958	-	6/8	6/8	6/8	-
	3300	2400	-	-	-	150	-	-	-	4089	-	-	-	6/8	-	-	-
	3430	-	-	-	2640	-	-	-	150	-	-	-	4403	-	-	-	6/8
	3500	2500	2548	2548	-	150	150	150	-	4289	4223	4358	-	6/8	6/8	6/8	-
	3700	2600	-	-	-	150	-	-	-	4489	-	-	-	6/8	-	-	-
	3740	-	-	-	2795	-	-	-	150	-	-	-	4713	-	-	-	6/8
	4000	2750	2795	2795	-	150	150	150	-	4789	4720	4858	-	6/8	6/8	6/8	-
	4230	-	-	-	3040	-	-	-	150	-	-	-	5203	-	-	-	6/8
	4300	2950	-	-	-	150	-	-	-	5089	-	-	-	6/8	-	-	-
	4500	3050	3040	3040	-	150	150	150	-	5289	5215	5358	-	6/8	6/8	6/8	-
	4730	-	-	-	3290	-	-	-	150	-	-	-	5703	-	-	-	6/8
	5000	-	3290	3290	-	-	150	150	-	-	5715	5858	-	-	6/8	6/8	-
	5230	-	-	-	3540	-	-	-	150	-	-	-	6203	-	-	-	6/5
	5500	-	3540	3540	-	-	150	150	-	-	6215	6358	-	-	6/5	6/5	-
	5730	-	-	-	3790	-	-	-	150	-	-	-	6703	-	-	-	6/5
	6000	-	3790	3790	-	-	150	150	-	-	6715	6858	-	-	6/5	6/5	-
Duplex ZZ	2932	-	-	-	2323	-	-	-	1300	-	-	-	3955	-	-	-	6/8
	3100	2265	-	-	-	1496	-	-	-	3669	-	-	-	6/8	-	-	-
	3132	-	-	-	2423	-	-	-	1400	-	-	-	4155	-	-	-	6/8
	3142	-	2323	2323	-	-	1565	1415	-	-	3900	4050	-	-	6/8	6/8	-
	3465	-	-	-	2590	-	-	-	1567	-	-	-	4488	-	-	-	6/8
	3500	2465	-	-	-	1696	-	-	-	4069	-	-	-	6/8	-	-	-
	3542	-	2523	2523	-	-	1765	1615	-	-	4300	4450	-	-	6/8	6/8	-
	3675	-	2590	2590	-	-	1832	1682	-	-	4433	4583	-	-	6/8	6/8	-
	3700	2565	-	-	-	1796	-	-	-	4269	-	-	-	6/8	-	-	-
	3825	-	-	-	2770	-	-	-	1747	-	-	-	4848	-	-	-	6/8
	4000	2715	-	-	-	1946	-	-	-	4469	-	-	-	6/8	-	-	-
	4035	-	2770	2770	-	-	2012	1862	-	-	4793	4943	-	-	6/8	6/8	-
	4885	-	-	-	3300	-	-	-	2277	-	-	-	5908	-	-	-	6/8
	5095	-	3300	3300	-	-	2542	2392	-	-	5853	6003	-	-	6/8	6/8	-
	5314	-	-	-	3515	-	-	-	2492	-	-	-	6337	-	-	-	6/5
5524	-	3515	3515	-	-	2757	2607	-	-	6282	6432	-	-	6/5	6/5	-	
Triplex DZ	4120	-	-	-	2223	-	-	-	1200	-	-	-	5143	-	-	-	6/8
	4150	-	2140	2140	-	-	1382	1232	-	-	4908	5058	-	-	6/8	6/8	-
	4400	2165	-	-	-	1396	-	-	-	5169	-	-	-	6/8	-	-	-
	4420	-	-	-	2323	-	-	-	1300	-	-	-	5443	-	-	-	6/8
	4700	2265	2323	-	-	1496	1565	-	-	5469	5458	-	-	6/8	6/8	-	-
	4850	-	2373	2373	-	-	1615	1465	-	-	5608	5758	-	-	6/5	6/5	-
	5000	2365	-	-	-	1596	-	-	-	5769	-	-	-	6/8	-	-	-
	5020	-	-	-	2523	-	-	-	1500	-	-	-	6043	-	-	-	6/5
	5220	-	-	-	2590	-	-	-	1567	-	-	-	6243	-	-	-	6/5
	5300	-	2523	2523	-	-	1765	1615	-	-	6058	6208	-	-	6/5	6/5	-
	5500	2565	2590	2590	-	1796	1832	1682	-	6269	6258	6408	-	6/5	6/5	6/5	-
	5750	-	-	-	2770	-	-	-	1747	-	-	-	6773	-	-	-	6/5
	6000	2765	2770	2770	-	1996	2012	1862	-	6769	6758	6908	-	6/5	6/5	6/5	-
	6280	-	-	-	2950	-	-	-	1927	-	-	-	7303	-	-	-	6/5
	6500	2965	2950	2950	-	2196	2170	2042	-	7269	7280	7408	-	6/5	6/3	6/3	-
	7000	3165	3120	3120	-	2396	2350	2212	-	7769	7770	7908	-	6/3	6/3	6/3	-
	7320	-	-	-	3300	-	-	-	2277	-	-	-	8343	-	-	-	6/5

Technical data in line with VDI 2198

		Jungheinrich						
			EFG 535k	EFG 540k	EFG 540	EFG 545k		
Identification	1.1	Manufacturer (abbreviation)						
	1.2	Model						
	1.3	Drive	Electric					
	1.4	Manual, pedestrian, stand-on, seated, order picker operation	seat					
	1.5	Load capacity/rated load	Q	t	3.5	4	4	4.5
	1.6	Load centre distance	c	mm	500			
	1.8	Load distance	x	mm	519	532	532	532
	1.9	Wheelbase	y	mm	1,856	1,856	2,000	1,856
	Weights	2.1.1	Net weight incl. battery (see row 6.5)		kg	5,830	6,726	6,701
2.2		Axle loading, laden front/rear		kg	8,310 / 1,020	9,730 / 996	9,726 / 975	10,608 / 1,078
2.3		Axle loading, unladen front/rear		kg	2,960 / 2,870	3,553 / 3,173	3,706 / 2,995	3,659 / 3,527
Wheels / frame	3.1	Tyres	SE					
	3.2	Tyre size, front		mm	250-15	250-15	250-15	28 x 12, 5-15
	3.3	Tyre size, rear		mm	21 x 8-9			
	3.5	Wheels, number front/rear (x = driven wheels)	2x/2					
	3.6	Tread width, front	b ₁₀	mm	1,115	1,115	1,115	1,155
	3.7	Tread width, rear	b ₁₁	mm	950			
	Basic dimensions	4.1	Tilt of mast/fork carriage forward/backward	α/β	°	6/8		
4.2		Mast height (lowered)	h ₁	mm	2,300	2,290	2,290	2,290
4.3		Free lift	h ₂	mm	150			
4.4		Lift	h ₃	mm	3,100	3,000	3,000	3,000
4.5		Extended mast height	h ₄	mm	3,889	3,715	3,715	3,715
4.7		Height of overhead guard	h ₆	mm	2,365	2,365	2,365	2,350
4.8		Seat height/standing height	h ₇	mm	1,313	1,313	1,313	1,303
4.12		Coupling height	h ₁₀	mm	396			
4.12.1		2. Coupling height		mm	566			
4.19		Overall length	l ₁	mm	3,805	3,818	3,962	3,818
4.20		Length to face of forks	l ₂	mm	2,655	2,668	2,812	2,668
4.21		Overall width	b ₁ /b ₂	mm	1,340	1,340	1,340	1,450
4.22		Fork dimensions	s/e/l	mm	45 / 125 / 1,150	50 / 125 / 1,150	50 / 125 / 1,150	50 / 150 / 1,150
4.23		Fork carriage ISO 2328, class/type A, B	3A					
4.24		Fork carriage width	b ₃	mm	1,120	1,260	1,260	1,260
4.31		Floor clearance with load under mast	m ₁	mm	143	179	179	166
4.32	Ground clearance, centre of wheelbase	m ₂	mm	150				
4.33	Aisle width for pallets 1000 x 1200 crossways	Ast	mm	4,003	4,092	4,222	4,092	
4.34	Aisle width for pallets 800 x 1200 lengthways	Ast	mm	4,203	4,292	4,422	4,292	
4.35	Turning radius	W _a	mm	2,284	2,360	2,490	2,360	
4.36	Smallest turning radius	b ₁₃	mm	660	660	721	660	
Performance data	5.1	Travel speed, laden/unladen		km/h	17 / 18 ²⁾	15 / 17 ²⁾	15 / 17 ²⁾	15 / 17 ²⁾
	5.2	Lift speed, laden/unladen		m/s	0.43 / 0.55 ²⁾	0.35 / 0.5 ²⁾	0.35 / 0.5 ²⁾	0.33 / 0.45 ²⁾
	5.3	Lowering speed, laden/unladen		m/s	0.56 / 0.56 ²⁾	0.55 / 0.5 ²⁾	0.55 / 0.5 ²⁾	0.55 / 0.5 ²⁾
	5.5	Drawbar pull, laden/unladen		N	5,300 / 5,800 ²⁾	5,100 / 5,600 ²⁾	5,100 / 5,600 ²⁾	4,900 / 5,500 ²⁾
	5.6	Max. drawbar pull, laden/unladen		N	14,700 / 15,000 ²⁾	14,600 / 14,900 ²⁾	14,600 / 14,900 ²⁾	14,500 / 14,800 ²⁾
	5.7	Gradeability, laden/unladen		%	11.5 / 19 ²⁾	10.8 / 17.7 ²⁾	10.8 / 17.7 ²⁾	9.4 / 15.8 ²⁾
	5.8	Max. gradeability, laden/unladen		%	17 / 27.8 ²⁾	15.4 / 26.1 ²⁾	15.4 / 26.1 ²⁾	13.7 / 23.9 ²⁾
	5.9.1	Acceleration time, laden/unladen (to 10 m)		S	4.9 / 4.3 ²⁾	5 / 4.4 ²⁾	5 / 4.4 ²⁾	5.5 / 4.8 ²⁾
	5.10	Service brake	mechanical					
	6.1	Drive motor, output S2 60 min.		kW	18.0 ²⁾			
6.2	Lift motor, output at S3 15%		kW	24.0 ²⁾				
6.3	Battery as per DIN 43531/35/36 A, B, C, no	A 43536						
6.4	Battery voltage/nominal capacity K5		V/Ah	80 / 775	80 / 775	80 / 930	80 / 775	
6.5	Battery weight		kg	1,863	1,863	2,178	1,863	
	Battery dimensions L/W/H		mm	1,028 / 855 / 784	1,028 / 855 / 784	1,028 / 999 / 784	1,028 / 855 / 784	
6.6	Energy consumption as per EN 16796		kWh/h	9.4 ¹⁾²⁾	10.6 ¹⁾³⁾	10.6 ¹⁾³⁾	11.1 ¹⁾³⁾	
	CO- Equivalent as per EN 16796		kg/h	5.1	5.7	5.7	6	
6.7	Throughput		t/h	238 ²⁾	260 ²⁾	260 ²⁾	288 ²⁾	
6.8	Energy consumption at max. throughput		kWh/h	8.5 ³⁾	8.5 ³⁾	8.5 ³⁾	8.9 ³⁾	
Misc.	8.1	Type of drive control	Impuls/AC					
	8.2	Working pressure for attachments		bar	200			
	8.3	Oil flow for attachments		l/min	30			
	8.4	Sound pressure level at operator's ear as per EN 12053		dB (A)	69			
	8.5	Trailer coupling, model/type DIN	DIN 15170 H					

¹⁾ 60 VDI working cycles / h

²⁾ With drive&liftPLUS options package

³⁾ With Efficiency options package

Technical data in line with VDI 2198

			Jungheinrich				
			EFG 545	EFG 550	EFG S40	EFG S50	
Identification	1.1	Manufacturer (abbreviation)	Jungheinrich				
	1.2	Model	EFG 545	EFG 550	EFG S40	EFG S50	
	1.3	Drive	Electric				
	1.4	Manual, pedestrian, stand-on, seated, order picker operation	seat				
	1.5	Load capacity/rated load	Q t	4.5	4.99	4	5
	1.6	Load centre distance	c mm	500	500	600	600
	1.8	Load distance	x mm	532	532	532	547
	1.9	Wheelbase	y mm	2,000	2,000	2,080	2,080
	Weights	2.1.1	Net weight incl. battery (see row 6.5)	kg	7,161	7,549	7,176
2.2		Axle loading, laden front/rear	kg	10,549 / 1,112	11,282 / 1,257	10,025 / 1,151	11,677 / 1,359
2.3		Axle loading, unladen front/rear	kg	3,777 / 3,385	3,772 / 3,777	3,891 / 3,285	3,932 / 4,104
Wheels / frame	3.1	Tyres	SE				
	3.2	Tyre size, front	mm	28 x 12, 5-15	28 x 12, 5-15	28x12,5-15	28 x 12, 5-15
	3.3	Tyre size, rear	mm	21 x 8-9	21 x 8-9	23x10-12	23x10-12
	3.5	Wheels, number front/rear (x = driven wheels)	2x/2				
	3.6	Tread width, front	b ₁₀ mm	1,155			
	3.7	Tread width, rear	b ₁₁ mm	950	950	1,200	1,200
	Basic dimensions	4.1	Tilt of mast/fork carriage forward/backward	α/β °	6/8		
4.2		Mast height (lowered)	h ₁ mm	2,290	2,290	2,290	2,440
4.3		Free lift	h ₂ mm	150			
4.4		Lift	h ₃ mm	3,000	3,000	3,000	3,030
4.5		Extended mast height	h ₄ mm	3,715	3,858	3,858	4,003
4.7		Height of overhead guard	h ₆ mm	2,350			
4.8		Seat height/standing height	h ₇ mm	1,303			
4.12		Coupling height	h ₁₀ mm	396			
4.12.1		2. Coupling height	mm	566			
4.19		Overall length	l ₁ mm	3,962	3,962	4,102	4,102
4.20		Length to face of forks	l ₂ mm	2,812	2,812	2,952	2,952
4.21		Overall width	b ₁ /b ₂ mm	1,450			
4.22		Fork dimensions	s/e/l mm	50 / 150 / 1,150	50 / 150 / 1,150	50 / 150 / 1,150	60 / 150 / 1,150
4.23		Fork carriage ISO 2328, class/type A, B		3A	3A	3A	4A
4.24		Fork carriage width	b ₃ mm	1,260			
4.31		Floor clearance with load under mast	m ₁ mm	166			
4.32	Ground clearance, centre of wheelbase	m ₂ mm	150				
4.33	Aisle width for pallets 1000 x 1200 crossways	Ast mm	4,222	4,222	4,412	4,427	
4.34	Aisle width for pallets 800 x 1200 lengthways	Ast mm	4,422	4,422	4,612	4,627	
4.35	Turning radius	W _a mm	2,490	2,490	2,680	2,680	
4.36	Smallest turning radius	b ₁₃ mm	721	721	673	673	
Performance data	5.1	Travel speed, laden/unladen	km/h	15 / 17 ²⁾			
	5.2	Lift speed, laden/unladen	m/s	0.33 / 0.45 ²⁾	0.33 / 0.45 ²⁾	0.33 / 0.45 ²⁾	0.31 / 0.45 ²⁾
	5.3	Lowering speed, laden/unladen	m/s	0.55 / 0.5 ²⁾			
	5.5	Drawbar pull, laden/unladen	N	4,900 / 5,500 ²⁾	4,800 / 5,400 ²⁾	4,900 / 5,500 ²⁾	4,700 / 5,300 ²⁾
	5.6	Max. drawbar pull, laden/unladen	N	14,500 / 14,800 ²⁾	14,400 / 14,700 ²⁾	14,500 / 14,800 ²⁾	14,400 / 14,700 ²⁾
	5.7	Gradeability, laden/unladen	%	9.4 / 15.8 ²⁾	8.8 / 15.8 ²⁾	9.4 / 15.8 ²⁾	8.4 / 15 ²⁾
	5.8	Max. gradeability, laden/unladen	%	13.7 / 23.9 ²⁾	13.2 / 23.4 ²⁾	13.7 / 23.4 ²⁾	12.5 / 22.2 ²⁾
	5.9.1	Acceleration time, laden/unladen (to 10 m)	S	5.5 / 4.8 ²⁾	5.8 / 5.2 ²⁾	5.5 / 4.8 ²⁾	6.1 / 5.5 ²⁾
	5.10	Service brake		mechanical	mechanical	mechanical	electric/mechanical
	Electrics	6.1	Drive motor, output S2 60 min.	kW	18.0 ²⁾		
6.2		Lift motor, output at S3 15%	kW	24.0 ²⁾			
6.3		Battery as per DIN 43531/35/36 A, B, C, no		A 43536			
6.4		Battery voltage/nominal capacity K5	V/Ah	80 / 930			
6.5		Battery weight	kg	2,178			
		Battery dimensions L/W/H	mm	1,028 / 999 / 784			
6.6		Energy consumption as per EN 16796	kWh/h	11.1 ¹⁾³⁾	11.4 ¹⁾³⁾	10.8 ¹⁾³⁾	11.6 ¹⁾³⁾
		CO- Equivalent as per EN 16796	kg/h	6	6.2	5.8	6.3
6.7	Throughput	t/h	288 ²⁾	315 ²⁾	260 ²⁾	315 ²⁾	
6.8	Energy consumption at max. throughput	kWh/h	8.9 ³⁾	9.3 ³⁾	9.3 ³⁾	9.3 ³⁾	
Misc.	8.1	Type of drive control		Impuls/AC			
	8.2	Working pressure for attachments	bar	200			
	8.3	Oil flow for attachments	l/min	30			
	8.4	Sound pressure level at operator's ear as per EN 12053	dB (A)	69			
	8.5	Trailer coupling, model/type DIN		DIN 15170 H			

¹⁾ 60 VDI working cycles / h

²⁾ With drive&liftPLUS options package

³⁾ With Efficiency options package

EFG 535k/540k/540/545k/545/550/S40/S50



Benefit from the advantages



Lateral battery exchange



duoPILOT



soloPILOT



multiPILOT

PureEnergy

Our PureEnergy technology concept enables you to achieve optimum energy efficiency coupled with maximum throughput:

- Advanced 3-phase AC technology.
- Compact controller.
- Compact hydraulic unit.
- Needs-oriented control of the hydraulics/motors.

Options packages

The right truck for every customer application thanks to individually selectable packages:

- Efficiency package with curveCONTROL.
- drive&liftPLUS package with greater travel/lift speeds.

Parameter steering

Electric steering with dynamic response depending on the travel program selected:

- Minimises unnecessary steering changes.
- Slim steering column creates more legroom.
- Improved energy efficiency.
- Optimised throughput.

Lateral battery exchange

- Universal battery exchange system for all 48 V and 80 V trucks.
- Simple, rapid and reliable exchange system.

Ergonomic and easily adjustable operating concept

- Selection from 5 freely adjustable travel programs.
- Stepless single-point adjustment of the armrest and steering column in 2 axes.
- A choice of 3 different controls.
- Adjustable lever and controls angle.
- Single or double pedal operation.

Ergonomic workstation

The ergonomics of the operator's workstation guarantee relaxed, fatigue-free work:

- Low, highlighted entry step with level foot-well.
- Slim steering column for maximum knee and legroom.
- High-resolution, contrast-rich, full-colour TFT display with intuitive user interface.
- Compact nested profile package with excellent visibility.
- Unobstructed view thanks to special overhead guard design, optimised chain and hose configuration.
- Operator-oriented storage concept for intuitive operation.
- Large, adjustable armrest with different upholstery fabrics and spacious storage compartment.
- External power supply via optional USB port.
- Low vibrations as the cab floats on special mountings.

Safety

Comprehensive safety equipment for high drive dynamics and performance:

- Reduction of travel speed when cornering due to curveCONTROL.
- No uncontrolled roll-back on ramps or inclines due to automatic wheel stop (optional).
- Excellent stability due to extremely low centre of gravity and high pivot steer axle.

Additional safety for the operator, truck and load due to a range of optional operator assistance systems:

- accessCONTROL: Access control system which only unlocks the truck once a sequence of safety checks has been completed:
 1. Valid access code.
 2. Closed seat switch.
 3. Seatbelt is secured.
- driveCONTROL: Speed control, which automatically reduces the speed both when cornering and from a defined lift height.
- liftCONTROL: Lift speed control, which reduces the travel speed as well as the tilt speed of the mast beginning at a defined lift height. The tilt angle is shown on a separate display.

Lithium-ion technology

- High degree of availability thanks to extremely short charging times.
- No battery exchange required.
- Cost savings due to longer service life and low maintenance compared with lead-acid batteries.
- No charging rooms and ventilation required as there is no build up of gas.
- Longer service life with 5-year Jungheinrich guarantee.

Jungheinrich UK Ltd.

Head Office:
Sherbourne House
Sherbourne Drive
Tilbrook
Milton Keynes MK7 8HX
Telephone 01908 363100
Fax 01908 363180

info@jungheinrich.co.uk
www.jungheinrich.co.uk

The German production facilities in Norderstedt, Moosburg and Landsberg are certified. **ISO 9001**
ISO 14001

Jungheinrich fork lift trucks meet European safety requirements.



 **JUNGHEINRICH**