

HTH

50.14

The HTH 50.14 telescopic handler is ideal for moving large, bulky loads in complete safety. Able to lift up to 50 tonnes, it is compatible with a wide range of accessories, making it extremely versatile. Equipped with an RFID system which provides automatic recognition of the various attachments used, this telescopic handler is able to meet a wide range of applications in heavy industry and mining. Its four-wheel drive system, three manoeuvring modes and high ground clearance makes it highly manoeuvrable on all terrain types.



MAIN SECTORS

-  HEAVY INDUSTRY
-  HEAVY LOGISTICS
-  MINING & QUARRING
-  SPECIAL PROJECTS

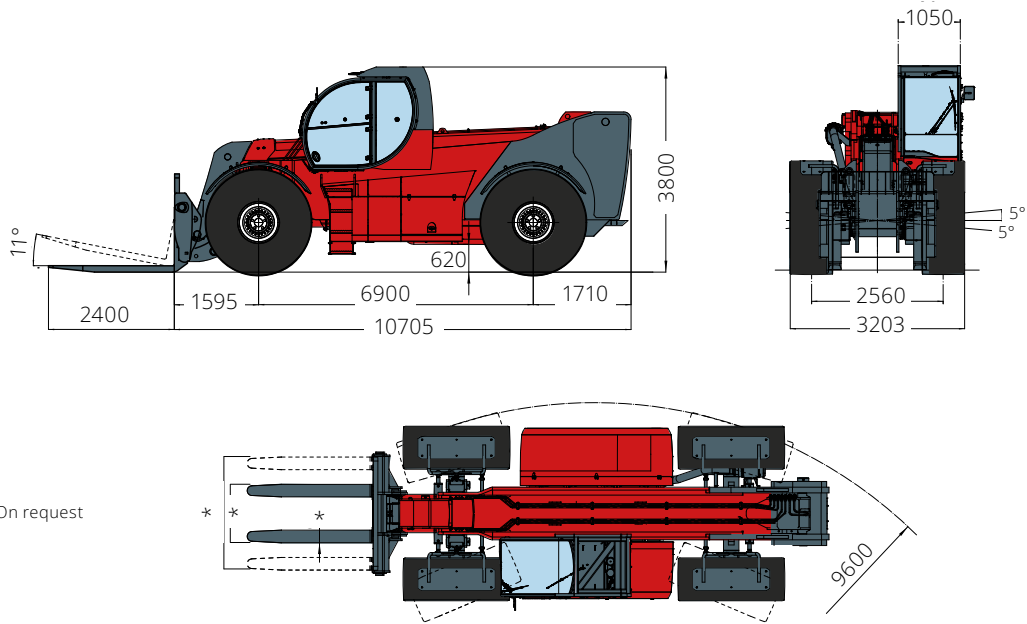


HTH 50.14

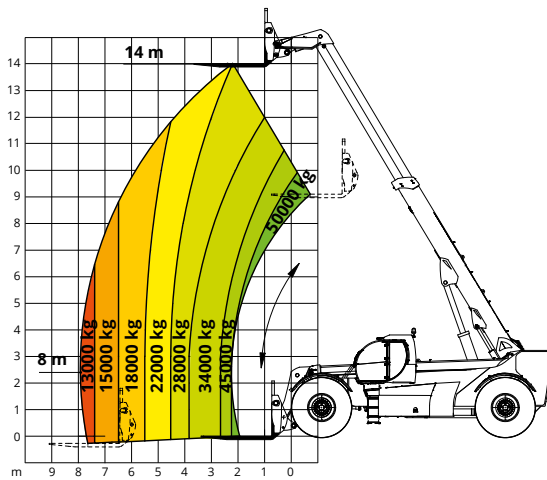
Machine model	Maximum lifting capacity	50,000 kg
	Load center	1,200 mm
	Maximum lifting height	14.00 m
	Maximum reach	8.00 m
Engine	Rated power	500 - 700 kW
	Engine configuration	Turbocharged diesel direct injection common rail
	Cooling system	Water - intercooler
Cab	FOPS-ROPS tested hermetic cab with protectors	•
	Front, rear and upper wiper	•
	Headlights for road circulation, flashing beacon	•
	Rear view mirrors	•
	Heating - Air conditioning	•
Controls	Multi-function electro proportional joystick	•
	Heavy Duty with epicyclic reduction	•
	One steering cylinders each axle	•
Axles And brakes	3 types of steering	- with front steering - with round steer - with crab steering
	Tilting rear axle	•
	Hydraulic servo-assisted multidisc brake in oil bath on both axles, with double circuit	•
	Negative parking brake	•
Performance	Max. travel speed	20 km/h
	Gradeability	50%
	Min. turning radius (at wheels)	9,600 mm
Weights	Total unladen	68,000 kg
	Front axle unladen (boom retracted and lowered)	28,000 kg
	Rear axle unladen (boom retracted and lowered)	40,000 kg
Transmission	Hydrostatics	Rexroth
	Variable displacement hydrostatic pump with electronic control	•
	Variable displacement hydrostatic motor	Two
	Gearbox	Hydraulic gearbox with 3 speeds powershift forward / reverse Differential hydraulic locking
Hydraulic circuit	Load sensing piston pump	•
	Circuit at 350 bar	•
	Proportional hydraulic electrovalve	•
	Suction and return line filters	•
	High pressure flexible hoses	•
Tanks Capacities	Diesel fuel tank	N.D.
	AdBlue*	N.D.
	Hydraulic fluid	N.D.
	Engine oil	N.D.
Safety	Cooliant	N.D.
	Electronic safety system which controls the load with definition of the lifted load, radius and comparison with the diagrams stored	•
	Block of aggravating movements of the load	•
	Safety valves on cylinders	•



HTH 50.14



Load chart with forks



Load chart with container spreader 20"-40"

