

Optimum energy efficiency

Efficiency and drive&liftPLUS performance packages

Lateral battery exchange

Ergonomic and easily adjustable operating concept

Ergonomic workstation



## EFG 425k/425/430k/430/S30

Electric four-wheel counterbalanced fork lift trucks (2,500/3,000 kg)

Our Series 4 electric four-wheel counterbalanced fork lift trucks with capacities up to 3000 kg are ideal for a wide range of indoor and outdoor applications, particularly when using attachments. Moreover, our PureEnergy technology concept allows them to achieve best possible energy and cost efficiency combined with maximum performance.

By using the most advanced 3-phase AC technology in combination with our own manufactured electronic controller as well as an efficient and compact hydraulic unit, we have been able to significantly reduce energy consumption – while simultaneously increasing throughput. Measurements as per the VDI cycle document: At maximum throughput, our EFG Series 4 consumes up to 10 % less energy than comparable competitor models.

A choice of configuration packages with variable travel/lift speeds from the Efficiency and drive&liftPLUS modules solves your transport and stacking operations with maximum energy efficiency.

The infinitely adjustable steering column and armrest allow for adjustment to suit all operator sizes. Individual modification of the controls is very easy thanks to the single-point adaptation via 2 adjustable axes.

Our EFG Series 4 offers the best visibility in the market thanks to an expanded field of vision. We achieve this thanks to our compact mast, compact profile nesting, an optimised chain and hose guide as well as 2 viewing windows in the cross member.

The truck contour is closed on the operator's right side. This guarantees maximum rigidity and stability for the overall design and creates a number of storage options, e.g. for papers and a smartphone.

Proven concepts for demanding yet energy and cost-saving applications, make the Series 4 EFG trucks universally suitable for indoor and outdoor operation.



**HONEST, RELIABLE & REACTIVE**  
SOLUTIONS FOR WORKING AT HEIGHT



### CONTACT US

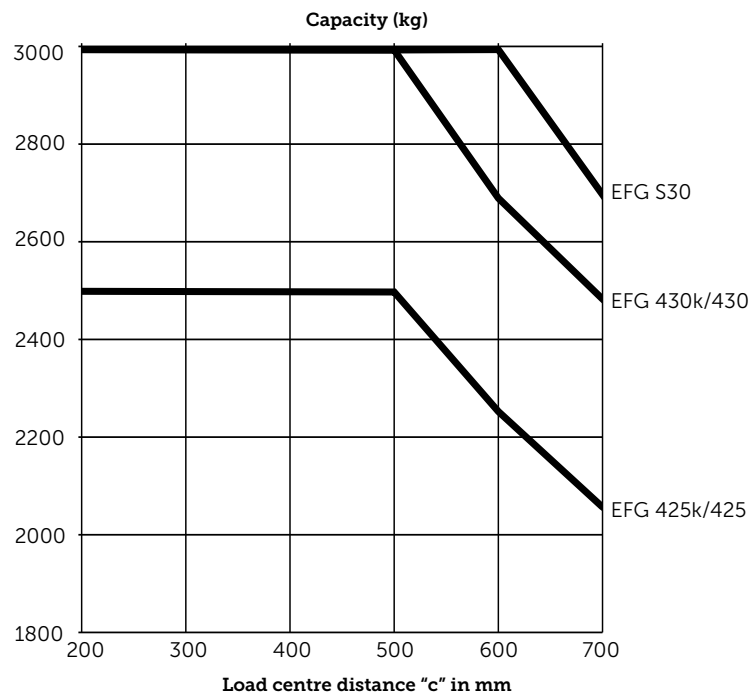
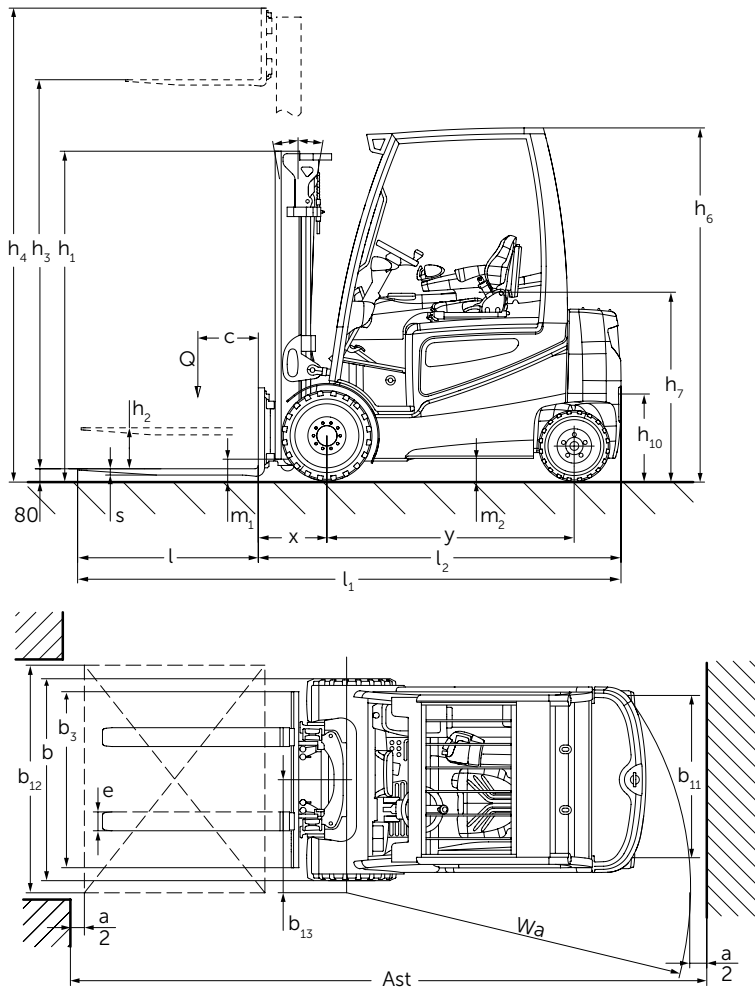
0800 865 4455

info@hiresafesolutions.com

www.hiresafesolutions.com



# EFG 425k/425/430k/430/S30



# EFG 425k/425/430k/430/S30

| Standard mast designs EFG 425k/425/430k/430/S30 |               |                              |                      |                    |                      |                               |                      |   |
|---|---------------|------------------------------|----------------------|--------------------|----------------------|-------------------------------|----------------------|---|
|   | Lift<br>$h_3$ | Lowered mast height<br>$h_1$ |                      | Free lift<br>$h_2$ |                      | Extended mast height<br>$h_4$ |                      | Mast tilt forward/back<br>$\alpha/\beta$<br>(°) |
|   | (mm)          | (mm)                         |                      | (mm)               |                      | (mm)                          |                      |   |
|   |               | EFG 425k / 425               | EFG 430k / 430 / S30 | EFG 425k / 425     | EFG 430k / 430 / S30 | EFG 425k / 425                | EFG 430k / 430 / S30 |   |
| Duplex ZT                                       | 2900          | 2125                         | 2122                 | 150                | 150                  | 3655                          | 3657                 | 6/8   |
|   | 3100          | 2225                         | 2222                 | 150                | 150                  | 3855                          | 3857                 | 6/8   |
|   | 3300          | 2325                         | 2322                 | 150                | 150                  | 4055                          | 4057                 | 6/8   |
|   | 3500          | 2425                         | 2422                 | 150                | 150                  | 4255                          | 4257                 | 6/8   |
|   | 3700          | 2525                         | 2522                 | 150                | 150                  | 4455                          | 4457                 | 6/8   |
|   | 4000          | 2675                         | 2672                 | 150                | 150                  | 4755                          | 4757                 | 6/8   |
|   | 4300          | 2875                         | 2872                 | 150                | 150                  | 5055                          | 5057                 | 6/8   |
| Duplex ZZ                                       | 4500          | 2975                         | 2972                 | 150                | 150                  | 5255                          | 5257                 | 6/8   |
|   | 3100          | 2190                         | 2187                 | 1600               | 1450                 | 3690                          | 3837                 | 6/8   |
|   | 3300          | 2290                         | 2287                 | 1700               | 1550                 | 3890                          | 4037                 | 6/8   |
|   | 3500          | 2390                         | 2387                 | 1800               | 1650                 | 4090                          | 4237                 | 6/8   |
|   | 3700          | 2490                         | 2487                 | 1900               | 1750                 | 4290                          | 4437                 | 6/8   |
| Triplex DZ                                      | 4000          | 2640                         | 2637                 | 2050               | 1900                 | 4590                          | 4737                 | 6/8   |
|   | 4400          | 2090                         | 2087                 | 1500               | 1350                 | 4990                          | 5137                 | 6/8   |
|   | 4700          | 2190                         | 2187                 | 1600               | 1450                 | 5290                          | 5437                 | 6/5.5   |
|   | 5000          | 2290                         | 2287                 | 1700               | 1550                 | 5590                          | 5737                 | 6/5.5   |
|   | 5500          | 2490                         | 2487                 | 1900               | 1750                 | 6090                          | 6237                 | 6/5.5   |
|   | 6000          | 2690                         | 2687                 | 2100               | 1950                 | 6590                          | 6737                 | 6/5.5   |
|   | 6500          | 2890                         | 2887                 | 2300               | 2150                 | 7090                          | 7237                 | 6/3   |
|   | 7000          | 3090                         | 3087                 | 2500               | 2350                 | 7590                          | 7737                 | 6/3   |
|   | 7500          | 3290                         | 3287                 | 2700               | 2550                 | 8090                          | 8237                 | 6/3   |



**HONEST, RELIABLE & REACTIVE**  
SOLUTIONS FOR WORKING AT HEIGHT



**CONTACT US**

- 0800 865 4455
- [info@hiresafesolutions.com](mailto:info@hiresafesolutions.com)
- [www.hiresafesolutions.com](http://www.hiresafesolutions.com)



# Technical data in line with VDI 2198

|                  |                                       | Jungheinrich   |   |                                   |                               |                               |                               |
|------------------|---------------------------------------|--|---|-----------------------------------|-------------------------------|-------------------------------|-------------------------------|
|                  |                                       | EFG 425k   | EFG 425                                     | EFG 430k                          |                               |                               |                               |
| Identification   | 1.1                                   | Manufacturer (abbreviation)                                  |   | Jungheinrich                      |                               |                               |                               |
|                  | 1.2                                   | Model  |   |                                   |                               |                               |                               |
|                  | 1.3                                   | Drive  |   | Electric                          |                               |                               |                               |
|                  | 1.4                                   | Manual, pedestrian, stand-on, seated, order picker operation |   | seat                              |                               |                               |                               |
|                  | 1.5                                   | Load capacity/rated load                                     | Q t   | 2.5                               | 2.5                           | 3                             |                               |
|                  | 1.6                                   | Load centre distance   | c mm  | 500                               |                               |                               |                               |
|                  | 1.8                                   | Load distance  | x mm  | 425                               | 425 <sup>1)</sup>             | 447                           |                               |
|                  | 1.9                                   | Wheelbase  | y mm  | 1,575                             | 1,720                         | 1,575                         |                               |
|                  | Weights                               | 2.1.1  | Net weight incl. battery (see row 6.5)      |                                   | kg                            | 4,770                         | 4,680                         |
| 2.2              |                                       | Axle loading, laden front/rear                               |   | kg                                | 6,440 / 830                   | 6,590 / 590                   | 7,360 / 910                   |
| 2.3              |                                       | Axle loading, unladen front/rear                             |   | kg                                | 2,450 / 2,320                 | 2,720 / 1,960                 | 2,530 / 2,730                 |
| Wheels / frame   | 3.1                                   | Tyres  |   | SE                                |                               |                               |                               |
|                  | 3.2                                   | Tyre size, front   |   | 225 / 75-10                       |                               |                               |                               |
|                  | 3.3                                   | Tyre size, rear  |   | 180 / 70-8                        |                               |                               |                               |
|                  | 3.5                                   | Wheels, number front/rear (x = driven wheels)                |   | 2X / 2                            |                               |                               |                               |
|                  | 3.6                                   | Tread width, front   | b <sub>10</sub> mm                          | 990                               | 990                           | 950                           |                               |
|                  | 3.7                                   | Tread width, rear  | b <sub>11</sub> mm                          | 940                               |                               |                               |                               |
|                  | Basic dimensions                      | 4.1  | Tilt of mast/fork carriage forward/backward |                                   | α/β °                         | 6/8                           |                               |
| 4.2              |                                       | Mast height (lowered)  |   | h <sub>1</sub> mm                 | 2,225                         | 2,225                         | 2,222                         |
| 4.3              |                                       | Free lift  |   | h <sub>2</sub> mm                 | 150                           |                               |                               |
| 4.4              |                                       | Lift   |   | h <sub>3</sub> mm                 | 3,100                         |                               |                               |
| 4.5              |                                       | Extended mast height   |   | h <sub>4</sub> mm                 | 3,855                         | 3,855                         | 3,857                         |
| 4.7              |                                       | Height of overhead guard                                     |   | h <sub>6</sub> mm                 | 2,240                         |                               |                               |
| 4.8              |                                       | Seat height/standing height                                  |   | h <sub>7</sub> mm                 | 1,190                         |                               |                               |
| 4.12             |                                       | Coupling height  |   | h <sub>10</sub> mm                | 385                           |                               |                               |
| 4.12.1           |                                       | 2. Coupling height   |   | mm                                | 540                           |                               |                               |
| 4.19.4           |                                       | Total length including fork length                           |   | l <sub>1</sub> mm                 | 3,446                         | 3,591                         | 3,467                         |
| 4.20             |                                       | Length to face of forks                                      |   | l <sub>2</sub> mm                 | 2,296                         | 2,441                         | 2,317                         |
| 4.21             |                                       | Overall width  |   | b <sub>1</sub> /b <sub>2</sub> mm | 1,198                         |                               |                               |
| 4.22             |                                       | Fork dimensions  |   | s/e/l mm                          | 40 / 120 / 1,150              | 40 / 120 / 1,150              | 45 / 125 / 1,150              |
| 4.23             |                                       | Fork carriage ISO 2328, class/type A, B                      |   |                                   | 2A                            | 2A                            | 3A                            |
| 4.24             |                                       | Fork carriage width  |   | b <sub>3</sub> mm                 | 1,120                         |                               |                               |
| 4.31             |                                       | Floor clearance with load under mast                         |   | m <sub>1</sub> mm                 | 117                           |                               |                               |
| 4.32             |                                       | Ground clearance, centre of wheelbase                        |   | m <sub>2</sub> mm                 | 135                           |                               |                               |
| 4.33             |                                       | Aisle width for pallets 1000 x 1200 crossways                |   | Ast mm                            | 3,625                         | 3,775                         | 3,647                         |
| 4.34             |                                       | Aisle width for pallets 800 x 1200 lengthways                |   | Ast mm                            | 3,825                         | 3,975                         | 3,847                         |
| 4.35             | Turning radius                        |  | W <sub>a</sub> mm                           | 2,000                             | 2,150                         | 2,000                         |                               |
| 4.36             | Smallest turning radius               |  | b <sub>13</sub> mm                          | 600                               |                               |                               |                               |
| Performance data | 5.1                                   | Travel speed, laden/unladen                                  |   | km/h                              | 19 / 20 <sup>2)</sup>         |                               |                               |
|                  | 5.2                                   | Lift speed, laden/unladen                                    |   | m/s                               | 0.48 / 0.6 <sup>3)</sup>      | 0.48 / 0.6 <sup>3)</sup>      | 0.43 / 0.6 <sup>3)</sup>      |
|                  | 5.3                                   | Lowering speed, laden/unladen                                |   | m/s                               | 0.58 / 0.58 <sup>3)</sup>     |                               |                               |
|                  | 5.5                                   | Drawbar pull, laden/unladen                                  |   | N                                 | 5,100 / 5,600 <sup>3)</sup>   | 4,900 / 5,500 <sup>3)</sup>   | 5,000 / 5,800 <sup>3)</sup>   |
|                  | 5.6                                   | Max. drawbar pull, laden/unladen                             |   | N                                 | 16,000 / 16,300 <sup>3)</sup> | 16,000 / 16,300 <sup>3)</sup> | 15,700 / 16,000 <sup>3)</sup> |
|                  | 5.7                                   | Gradeability, laden/unladen                                  |   | %                                 | 10 / 16 <sup>3)</sup>         | 10 / 16 <sup>3)</sup>         | 9 / 15 <sup>3)</sup>          |
|                  | 5.8                                   | Max. gradeability, laden/unladen                             |   | %                                 | 19 / 27 <sup>3)</sup>         | 19 / 27 <sup>3)</sup>         | 17 / 25 <sup>3)</sup>         |
|                  | 5.9.1                                 | Acceleration time, laden/unladen (to 10 m)                   |   | S                                 | 4.5 / 4 <sup>3)</sup>         |                               |                               |
|                  | 5.10                                  | Service brake  |   |                                   | mechanical                    |                               |                               |
|                  | Electrics                             | 6.1  | Drive motor, output S2 60 min.              |                                   | kW                            | 15.0 <sup>3)</sup>            |                               |
| 6.2              |                                       | Lift motor, output at S3 15%                                 |   | kW                                | 22.0 <sup>3)</sup>            |                               |                               |
| 6.3              |                                       | Battery as per DIN 43531/35/36 A, B, C, no                   |   |                                   | A 43536                       |                               |                               |
| 6.4              |                                       | Battery voltage/nominal capacity K5                          |   | V/Ah                              | 80 / 620                      | 80 / 775                      | 80 / 620                      |
| 6.5              |                                       | Battery weight   |   | kg                                | 1,540                         | 1,863                         | 1,540                         |
|                  |                                       | Battery dimensions L/W/H                                     |   | mm                                | 1,028 / 711 / 784             | 1,028 / 855 / 784             | 1,028 / 711 / 784             |
| 6.6              |                                       | Energy consumption as per EN 16796                           |   | kWh/h                             | 6 <sup>2)3)</sup>             | 6 <sup>2)3)</sup>             | 6.9 <sup>2)3)</sup>           |
|                  |                                       | CO <sub>2</sub> Equivalent as per EN 16796                   |   | kg/h                              | 3.2                           | 3.2                           | 3.7                           |
| 6.7              | Throughput                            |  | t/h   | 196 <sup>3)</sup>                 | 196 <sup>3)</sup>             | 225 <sup>3)</sup>             |                               |
| 6.8              | Energy consumption at max. throughput |  | kWh/h                                       | 7 <sup>4)</sup>                   | 7 <sup>4)</sup>               | 7.2 <sup>4)</sup>             |                               |
| Misc.            | 8.1                                   | Type of drive control  |   |                                   | Impuls/AC                     |                               |                               |
|                  | 8.2                                   | Working pressure for attachments                             |   | bar                               | 200                           |                               |                               |
|                  | 8.3                                   | Oil flow for attachments                                     |   | l/min                             | 25                            |                               |                               |
|                  | 8.4                                   | Sound pressure level at operator's ear as per EN 12053       |   | dB (A)                            | 70                            |                               |                               |
|                  | 8.5                                   | Trailer coupling, model/type DIN                             |   |                                   | DIN 15170-H                   |                               |                               |

<sup>1)</sup> +10 mm with DZ mast

<sup>2)</sup> 60 VDI work cycles/h

<sup>3)</sup> With drive&liftPLUS options package

<sup>4)</sup> With Efficiency options package

In accordance with VDI Guideline 2198, this data sheet provides details of the standard truck only. Non-standard tyres, different masts, optional equipment, etc. may result in different values.



# Technical data in line with VDI 2198

|                  |   |  |   | Jungheinrich                   |                       |                  |
|------------------|---|--|---|--------------------------------|-----------------------|------------------|
|                  |   |  |   | EFG 430                        | EFG S30               |                  |
| Identification   | 1.1   | Manufacturer (abbreviation)                                  |   | Jungheinrich                   |                       |                  |
|                  | 1.2   | Model  |   |                                |                       |                  |
|                  | 1.3   | Drive  |   | Electric                       |                       |                  |
|                  | 1.4   | Manual, pedestrian, stand-on, seated, order picker operation |   | seat                           |                       |                  |
|                  | 1.5   | Load capacity/rated load                                     | Q   | t                              | 3                     |                  |
|                  | 1.6   | Load centre distance   | c   | mm                             | 500                   | 600              |
|                  | 1.8   | Load distance  | x   | mm                             | 447                   | 452              |
|                  | 1.9   | Wheelbase  | y   | mm                             | 1,720                 |                  |
|                  | Weights                                       | 2.1.1  | Net weight incl. battery (see row 6.5)      |                                | 5,080                 | 5,330            |
| 2.2              |   | Axle loading, laden front/rear                               |   | 7,450 / 630                    | 7,620 / 710           |                  |
| 2.3              |   | Axle loading, unladen front/rear                             |   | 2,770 / 2,310                  | 2,780 / 2,550         |                  |
| Wheels / frame   | 3.1   | Tyres  |   | SE                             |                       |                  |
|                  | 3.2   | Tyre size, front   |   | 250 / 60-12                    | 315 / 45-12           |                  |
|                  | 3.3   | Tyre size, rear  |   | 180 / 70-8                     | 200 / 50-10           |                  |
|                  | 3.5   | Wheels, number front/rear (x = driven wheels)                |   | 2X / 2                         |                       |                  |
|                  | 3.6   | Tread width, front   | b <sub>10</sub>                             | mm                             | 950                   | 1,000            |
|                  | 3.7   | Tread width, rear  | b <sub>11</sub>                             | mm                             | 940                   |                  |
|                  | Basic dimensions                              | 4.1  | Tilt of mast/fork carriage forward/backward |                                | α/β °                 |                  |
| 4.2              |   | Mast height (lowered)  |   | h <sub>1</sub> mm              |                       |                  |
| 4.3              |   | Free lift  |   | h <sub>2</sub> mm              |                       |                  |
| 4.4              |   | Lift   |   | h <sub>3</sub> mm              |                       |                  |
| 4.5              |   | Extended mast height   |   | h <sub>4</sub> mm              |                       |                  |
| 4.7              |   | Height of overhead guard                                     |   | h <sub>6</sub> mm              |                       |                  |
| 4.8              |   | Seat height/standing height                                  |   | h <sub>7</sub> mm              |                       |                  |
| 4.12             |   | Coupling height  |   | h <sub>10</sub> mm             |                       |                  |
| 4.12.1           |   | 2. Coupling height   |   | mm                             |                       |                  |
| 4.19.4           |   | Total length including fork length                           |   | l <sub>1</sub>                 | mm                    | 3,612            |
| 4.20             |   | Length to face of forks                                      |   | l <sub>2</sub>                 | mm                    | 2,462            |
| 4.21             |   | Overall width  |   | b <sub>1</sub> /b <sub>2</sub> | mm                    | 1,198            |
| 4.22             |   | Fork dimensions  |   | s/e/l                          | mm                    | 45 / 125 / 1,150 |
| 4.23             |   | Fork carriage ISO 2328, class/type A, B                      |   | 3A                             |                       |                  |
| 4.24             |   | Fork carriage width  |   | b <sub>3</sub>                 | mm                    | 1,120            |
| 4.31             |   | Floor clearance with load under mast                         |   | m <sub>1</sub>                 | mm                    | 117              |
| 4.32             |   | Ground clearance, centre of wheelbase                        |   | m <sub>2</sub>                 | mm                    | 135              |
| 4.33             |   | Aisle width for pallets 1000 x 1200 crossways                |   | Ast                            | mm                    | 3,797            |
| 4.34             | Aisle width for pallets 800 x 1200 lengthways |  | Ast   | mm                             | 3,997                 |                  |
| 4.35             | Turning radius                                |  | W <sub>a</sub>                              | mm                             | 2,150                 |                  |
| 4.36             | Smallest turning radius                       |  | b <sub>13</sub>                             | mm                             | 600                   |                  |
| Performance data | 5.1   | Travel speed, laden/unladen                                  |   | km/h                           |                       |                  |
|                  | 5.2   | Lift speed, laden/unladen                                    |   | m/s                            |                       |                  |
|                  | 5.3   | Lowering speed, laden/unladen                                |   | m/s                            |                       |                  |
|                  | 5.5   | Drawbar pull, laden/unladen                                  |   | N                              |                       |                  |
|                  | 5.6   | Max. drawbar pull, laden/unladen                             |   | N                              |                       |                  |
|                  | 5.7   | Gradeability, laden/unladen                                  |   | 9 / 15 <sup>2)</sup>           | 8 / 14 <sup>2)</sup>  |                  |
|                  | 5.8   | Max. gradeability, laden/unladen                             |   | 18 / 26 <sup>2)</sup>          | 17 / 25 <sup>2)</sup> |                  |
|                  | 5.9.1   | Acceleration time, laden/unladen (to 10 m)                   |   | S                              |                       |                  |
|                  | 5.10  | Service brake  |   | mechanical                     |                       |                  |
|                  | Electrics                                     | 6.1  | Drive motor, output S2 60 min.              |                                | kW                    |                  |
| 6.2              |   | Lift motor, output at S3 15%                                 |   | kW                             |                       |                  |
| 6.3              |   | Battery as per DIN 43531/35/36 A, B, C, no                   |   | A 43536                        |                       |                  |
| 6.4              |   | Battery voltage/nominal capacity K5                          |   | V/Ah                           |                       |                  |
| 6.5              |   | Battery weight   |   | kg                             |                       |                  |
|                  |   | Battery dimensions L/W/H                                     |   | mm                             |                       |                  |
| 6.6              |   | Energy consumption as per EN 16796                           |   | 6.9 <sup>1)2)</sup>            | 7.8 <sup>1)2)</sup>   |                  |
| 6.7              |   | CO <sub>2</sub> Equivalent as per EN 16796                   |   | 3.7                            | 4.2                   |                  |
| 6.8              | Throughput                                    |  | 225 <sup>2)</sup>                           | 220 <sup>2)</sup>              |                       |                  |
| 6.8              | Energy consumption at max. throughput         |  | 7.2 <sup>3)</sup>                           | 8.1 <sup>3)</sup>              |                       |                  |
| Misc.            | 8.1   | Type of drive control  |   | Impuls/AC                      |                       |                  |
|                  | 8.2   | Working pressure for attachments                             |   | bar                            |                       |                  |
|                  | 8.3   | Oil flow for attachments                                     |   | l/min                          |                       |                  |
|                  | 8.4   | Sound pressure level at operator's ear as per EN 12053       |   | dB (A)                         |                       |                  |
|                  | 8.5   | Trailer coupling, model/type DIN                             |   | DIN 15170-H                    |                       |                  |

<sup>1)</sup> 60 VDI work cycles/h

<sup>2)</sup> With drive&liftPLUS options package

<sup>3)</sup> With Efficiency options package

In accordance with VDI Guideline 2198, this data sheet provides details of the standard truck only. Non-standard tyres, different masts, optional equipment, etc. may result in different values.





# EFG 425k/425/430k/430/S30



**HONEST, RELIABLE & REACTIVE**  
SOLUTIONS FOR WORKING AT HEIGHT



## CONTACT US

- 0800 865 4455
- info@hiresafesolutions.com
- www.hiresafesolutions.com



# Benefit from the advantages



Lateral battery exchange



duoPILOT



soloPILOT



multiPILOT

## PureEnergy

Our PureEnergy technology concept enables you to achieve optimum energy efficiency coupled with maximum throughput:

- Advanced 3-phase AC technology.
- Compact controller.
- Compact hydraulic unit.
- Needs-oriented control of the hydraulics/motors.

## Options packages

The right truck for every customer application thanks to individually selectable packages:

- Efficiency package with curveCONTROL.
- drive&liftPLUS package with greater travel/lift speeds.

## Parameter steering

Electric steering with dynamic response depending on the travel program selected:

- Minimises unnecessary steering changes.
- Slim steering column creates more legroom.
- Improved energy efficiency.
- Optimised throughput.

## Lateral battery exchange

- Universal battery exchange system for all 48 V and 80 V trucks.
- Simple, rapid and reliable exchange system.

## Ergonomic and easily adjustable operating concept

- Selection from 5 freely adjustable travel programs.
- Stepless single-point adjustment of the armrest and steering column in 2 axes.
- A choice of 3 different controls.
- Adjustable lever and controls angle.
- Single or double pedal operation.

## Ergonomic workstation

The ergonomics of the operator's workstation guarantee relaxed, fatigue-free work:

- Low, highlighted entry step with level foot-well.
- Slim steering column for maximum knee and legroom.
- High-resolution, contrast-rich, full-colour TFT display with intuitive user interface.
- Compact nested profile package with excellent visibility.
- Unobstructed view thanks to special overhead guard design, optimised chain and hose configuration.
- Operator-oriented storage concept for intuitive operation.
- Large, adjustable armrest with different upholstery fabrics and spacious storage compartment.
- External power supply via optional USB port.
- Low vibrations as the cab floats on special mountings.

## Safety

Comprehensive safety equipment for high drive dynamics and performance:

- Reduction of travel speed when cornering due to curveCONTROL.
- No uncontrolled roll-back on ramps or inclines due to automatic wheel stop (optional).
- Excellent stability due to extremely low centre of gravity and high pivot steer axle.

Additional safety for the operator, truck and load due to a range of optional operator assistance systems:

- accessCONTROL: Access control system which only unlocks the truck once a sequence of safety checks has been completed:
  1. Valid access code.
  2. Closed seat switch.
  3. Seatbelt is secured.
- driveCONTROL: Speed control, which automatically reduces the speed both when cornering and from a defined lift height.
- liftCONTROL: Lift speed control, which reduces the travel speed as well as the tilt speed of the mast beginning at a defined lift height. The tilt angle is shown on a separate display.

## Lithium-ion technology

- High degree of availability thanks to extremely short charging times.
- No battery exchange required.
- Cost savings due to longer service life and low maintenance compared with lead-acid batteries.
- No charging rooms and ventilation required as there is no build up of gas.
- Longer service life with 5-year Jungheinrich guarantee.

