

### Specifications

Model	S-60HC	
Measurements	Metric	US
Working height maximum*	19.79 m	64 ft 4 in
Platform height maximum	17.79 m	58 ft 4 in
Horizontal reach maximum in 340 kg (750 lb) maximum outreach zone	15.50 m	50 ft 10 in
Horizontal reach maximum in 567 kg (1,250 lb) maximum capacity zone	11.87 m	38 ft 11 in
Below ground reach	1.70 m	5 ft 7 in
<b>A</b> Platform length - 8 ft model	0.91 m	3 ft
Platform length - 6 ft model	0.76 m	2 ft 6 in
<b>B</b> Platform width - 8 ft model	2.44 m	8 ft
Platform width - 6 ft model	1.83 m	6 ft
<b>C</b> Height - stowed	2.72 m	8 ft 11 in
<b>D</b> Length - stowed	8.46 m	27 ft 9 in
<b>E</b> Width	2.49 m	8 ft 2 in
<b>F</b> Wheelbase	2.50 m	8 ft 2.5 in
<b>G</b> Ground clearance - center	0.37 m	1 ft 2.5 in

### Productivity

Lift capacity - maximum outreach zone	340 kg	750 lbs
Lift capacity - maximum capacity zone	567 kg	1,250 lbs
Platform rotation	160°	160°
Turntable rotation	360° continuous	
Turntable tailswing	1.22 m	4 ft
Drive speed - 2WD stowed	6.4 km/h	4.0 mph
Drive speed - 4WD stowed	4.8 km/h	3.0 mph
Drive speed - raised or extended	30 cm/s	1 ft/s
Gradeability - 2WD stowed**	30%	30%
Gradeability - 4WD stowed**	45%	45%
Turning radius - inside	2.36 m	7 ft 9 in
Turning radius - outside	5.54 m	18 ft 2 in
Controls	12 V DC proportional	
Tyres - RT Lug	355/55D 625	

### Power

Power source	Deutz D-2011 L03i 3 cylinder diesel 48 hp (36 kW) Perkins 404D-22 4 cylinder diesel 51 hp (38 kW) Deutz TD2011 L04i 4 cylinder turbo diesel 74 hp (55 kW)	
Auxiliary power unit	12 V DC	12 V DC
Hydraulic tank capacity	170 L	45 gal
Fuel tank capacity (Diesel)	132 L	35 gal

### Sound & Vibration Levels

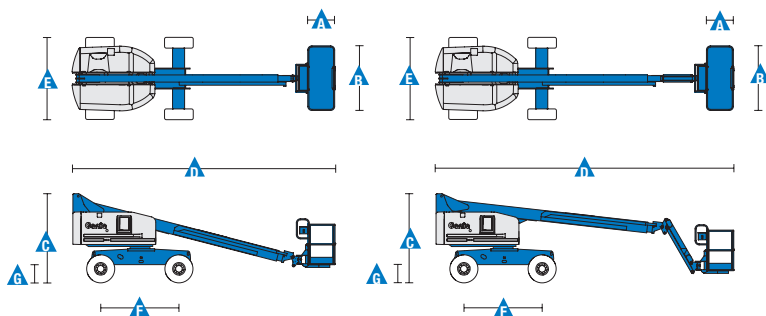
Sound pressure level (ground workstation)	84 dBA	84 dBA
Sound pressure level (platform workstation)	79 dBA	79 dBA
Vibration	<2.5 m/s <sup>2</sup>	<8 ft 2 in/s <sup>2</sup>

### Weight\*\*\*

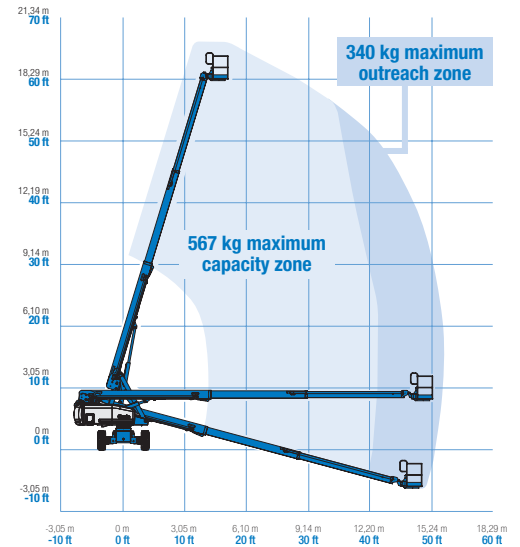
2WD	9,996 kg	22,038 lbs
4WD	10,073 kg	22,208 lbs
CE Foam Filled tyres	add 347 kg	add 764 lbs

### Standards Compliance

EU Directives: 2006/42/EC - Machinery (harmonized standard EN280:2001+A2:2009); 2004/108/EC (EMC); 2000/14/EC (Outdoor Noise)



### Range of Motion S-60HC



\* The metric equivalent of working height adds 2 m to platform height. U.S. adds 6 ft to platform height.

\*\* Gradeability applies to driving on slopes. See operator's manual for details regarding slope ratings.

\*\*\* Weight will vary depending on options and/or country standards.

### Features

Standard Features	Easily Configured To Meet Your Needs	Options & Accessories
-------------------	--------------------------------------	-----------------------

#### Measurements

##### S-60HC

- 19.79 m (64 ft 4 in) working height
- 15.50 m (50 ft 10 in) maximum horizontal reach with 340 kg (750 lb) load
- 11.87 m (38 ft 11 in) maximum horizontal reach with 567 kg (1,250 lb) load
- 340 kg (750 lb) platform load in maximum outreach zone
- 567 kg (1,250 lb) platform load in maximum capacity zone

#### Productivity

- Self-levelling platform
- Hydraulic platform rotation
- Half-mesh platform inserts with swing gate <sup>(1)</sup>
- Fully proportional Hall effect joystick controls
- Thumb rocket steering
- Drive enable
- AC power cord to platform
- Tilt alarm
- Descent & travel alarms
- Flashing beacon
- Horn
- Hour meter
- 360° continuous turntable rotation
- Locking turntable covers
- Positive traction drive
- Two speed wheel motors
- Certified load sensor

#### Power

- 12 V DC auxiliary power
- Anti-restart engine protection
- Auto engine fault shutdown
- Intake air heater (Deutz engine)

#### Platform Options

- Steel 2.44 m (8 ft) (standard)
- Steel 1.83 m (6 ft)
- Steel 2.44 m (8 ft) tri-entry

#### Engine Options

- Deutz diesel 36 kW (48 hp)
- Perkins diesel 38 kW (51 hp)
- Deutz turbo diesel 55 kW (74 hp)

#### Drive Options

- 2 x 4
- 4 x 4

#### Axle Options

- Active oscillation
- Non-oscillating

#### Tyre Options

- Rough terrain air-filled (standard)
- Rough terrain foam-filled
- Rough terrain non-marking air or foam-filled
- Sealant treated air-filled



#### Productivity Options

- Platform swing gate <sup>(1)</sup>
- Half mesh platform inserts with swing gate <sup>(1)</sup>
- Platform top auxiliary rail
- Weld leads to platform <sup>(2)</sup>
- Air line to platform
- Power to platform (incl. plug, socket and ground fault interrupt leakage on request)
- Work lights package (2 on chassis, 2 on platform)
- Dual axis joystick steering
- Second battery
- Hydraulic oil cooler
- Biodegradable hydraulic oil <sup>(2)</sup>
- Hostile environment kit <sup>(2)</sup>: cylinder bellows, boom wiper seals, platform and ground control box cover
- Deluxe hostile environment kit <sup>(2,3)</sup>: adds to basic kit center turntable shield, ring gear guard, tail pipe guard, engine cover flaps and air pre-cleaner
- Tilt cut-out option
- Track & Trace <sup>(4)</sup> (GPS unit providing machine location & operating information)
- Panel cradle package <sup>(2,3)</sup>
- Lockable platform control box covers
- Tow package <sup>(2)</sup>
- Tool tray

#### Power Options

- Engine gauge package <sup>(2)</sup>: oil pressure, temp & amp
- AC generator packages (110V/60Hz - 220V/50Hz, 3000 W) <sup>(2)</sup>
- Hydraulic MTE generator kit (110V/120V-220V/240V)
- Deutz V-belt generator kit (110V/220V) <sup>(3)</sup>
- Diesel air intake pre-cleaner <sup>(2,3)</sup>
- Diesel catalytic scrubber muffler <sup>(2)</sup>
- Low temperature cut-out module
- Engine heater <sup>(3)</sup>
- Refinery kit with spark arrestor and electric or mechanical Chalwyn valve <sup>(3)</sup>

<sup>(1)</sup> Not available on tri-entry platforms

<sup>(2)</sup> Factory-fit option only

<sup>(3)</sup> Available on selected models only. See your Genie representative for further information.

<sup>(4)</sup> Includes a first 2 years subscription