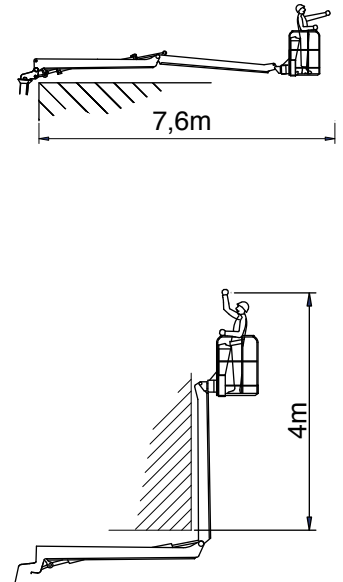
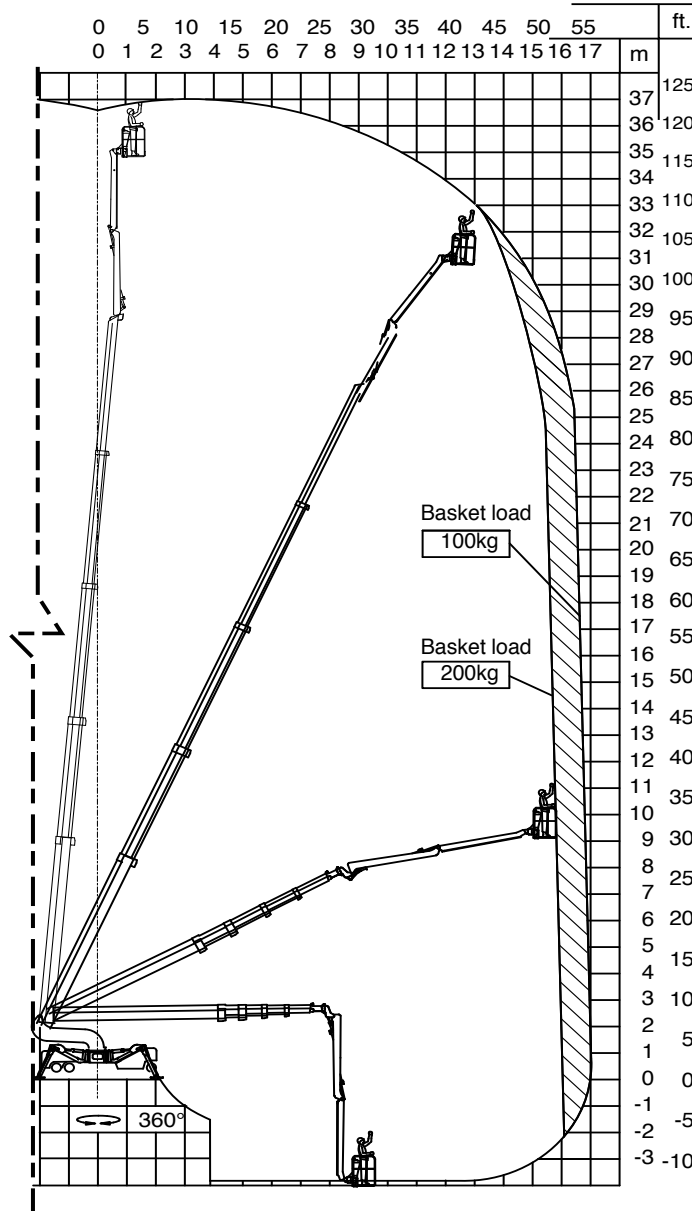
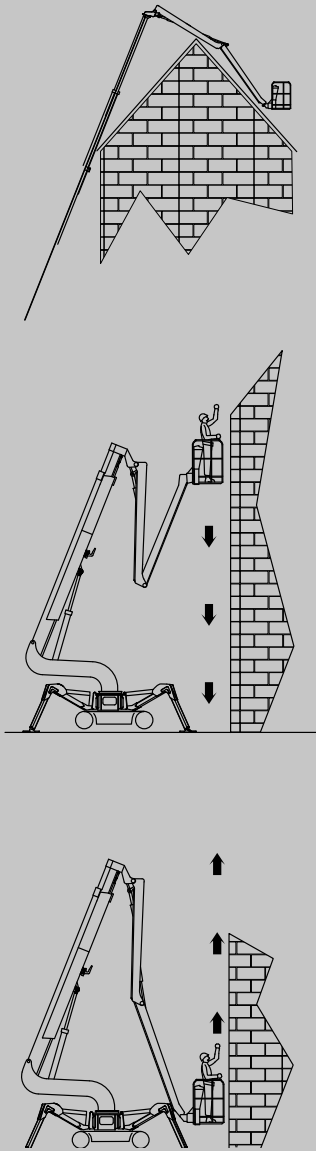


FALCON FS370

Reach diagram — Optimized position

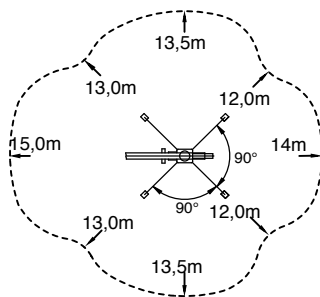


Reach with outriggers in different positions

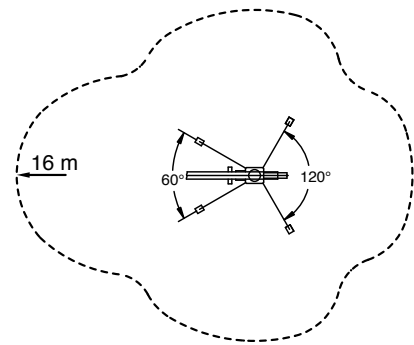
Standard

Measurements in meters

Optimized



Basket load=200kg



Basket load=100kg

All measurements are intended as guide. Choice of equipment may change the mentioned measurements

TCA LIFT A/S

Tolderlundsvej 106
DK • 5000 Odense C
Tel.: +45 66 13 11 00

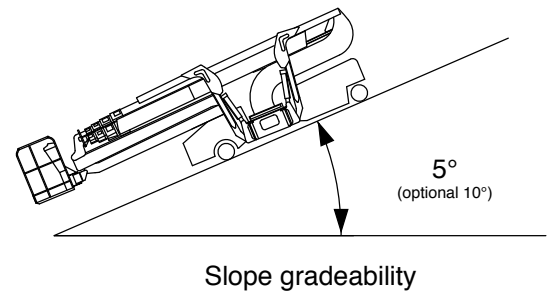
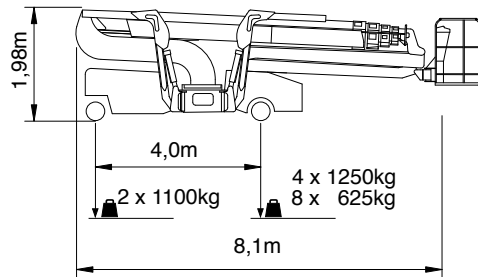
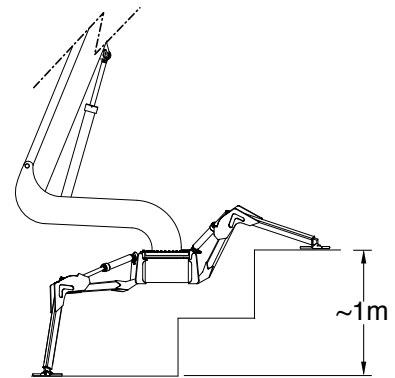
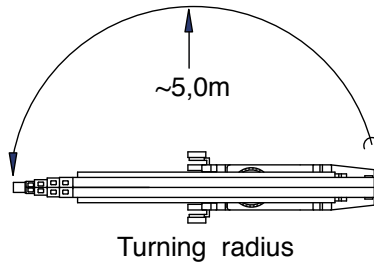
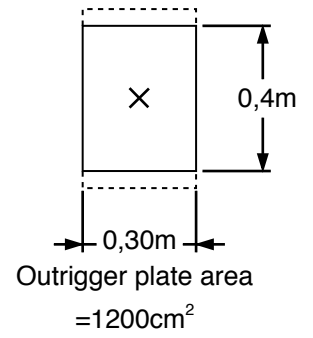
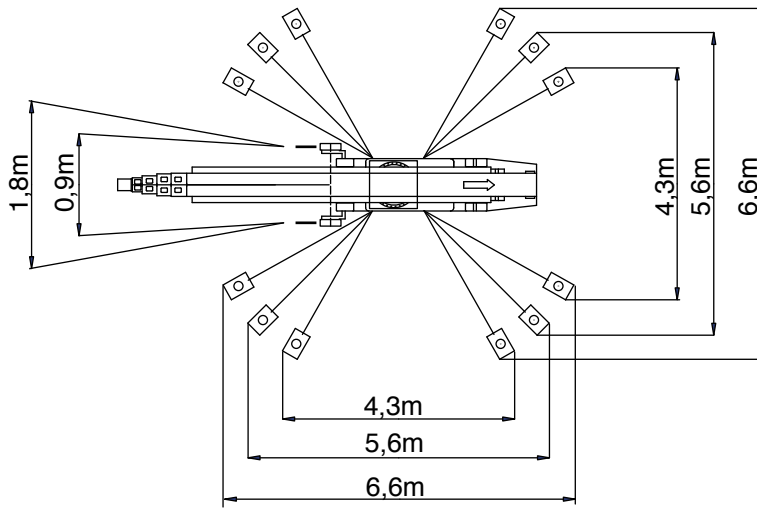
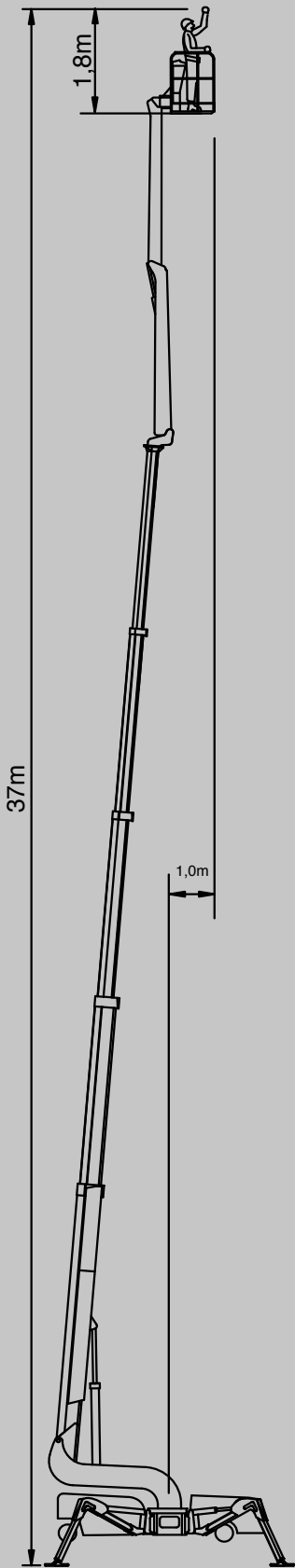
www.tcalift.com

HONEST, RELIABLE & REACTIVE
SOLUTIONS FOR WORKING AT HEIGHT

CONTACT US

☎ 0800 865 4455
✉ info@hiresafesolutions.com
🌐 www.hiresafesolutions.com





Additional info:

Weight and ground pressure:

Weight with standard equipment (solid tires) Bogie	7200 kg
Max. ground pressure under 1 wheel (with 4 rear wheel)	5,9 kg/cm ²
Max. ground pressure under 1 wheel (with 8 rear wheel)	5,5 kg/cm ²
Max. ground pressure under 1 outrigger plate	2,75 kg/cm ²
Front wheel area (depending on wheel type)	2 x ~ 200 cm ²
Rear wheel area (depending on wheel type)	4 x ~ 210 cm ²

As all our products are in a constant process of development we reserve the right to alterations



HONEST, RELIABLE & REACTIVE
SOLUTIONS FOR WORKING AT HEIGHT

CONTACT US

- 0800 865 4455
- info@hiresafesolutions.com
- www.hiresafesolutions.com

