

# SPECIFICATION

## ZED 26 JH ATEGO 7.5t

### TECHNICAL DATA

- Double pantograph + telescopic boom (main boom + two extensions)+ jib
- Sigma boom movement enabled by connecting rods
- 360° turret rotation on bearing turntable
- Proportional, electrohydraulic controls in basket and ground
- Engine start and stop controls from basket and ground
- Anti-slip, aluminium flatbed decking with tool tray walls
- Aluminium basket
- 65° right + 65° left hydraulic basket rotation
- Automatic hydraulically actioned basket levelling
- Basket load sensing device
- 4 hydraulic outriggers with ground pressure sensors
- Hydraulic system operated by vehicle's PTO
- 230 V AC CE electrical socket in the basket
- 1 flashing beacon
- Buzzer indicating PTO engaged
- Hour meter
- Standard boom colours blue (RAL 5017) or white (RAL 9010)
- CE certified

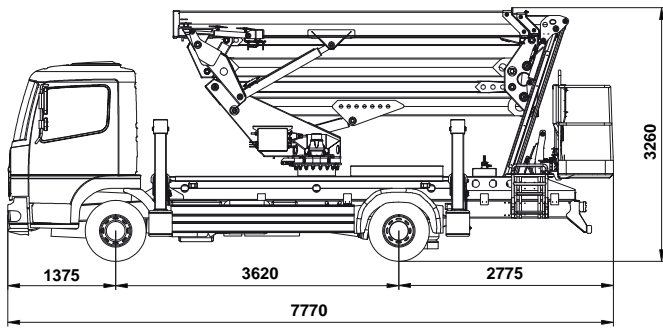
### PERFORMANCE

Working height	26 m
Platform height	24 m
Working outreach	14 m
Capacity	230 kg
Basket dim.	1800x700x1100 mm
GVW minimum	7,5 t

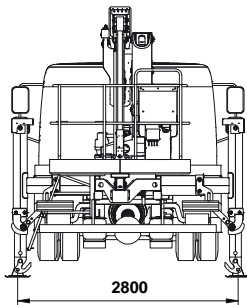
*It can be mounted on: Iveco*



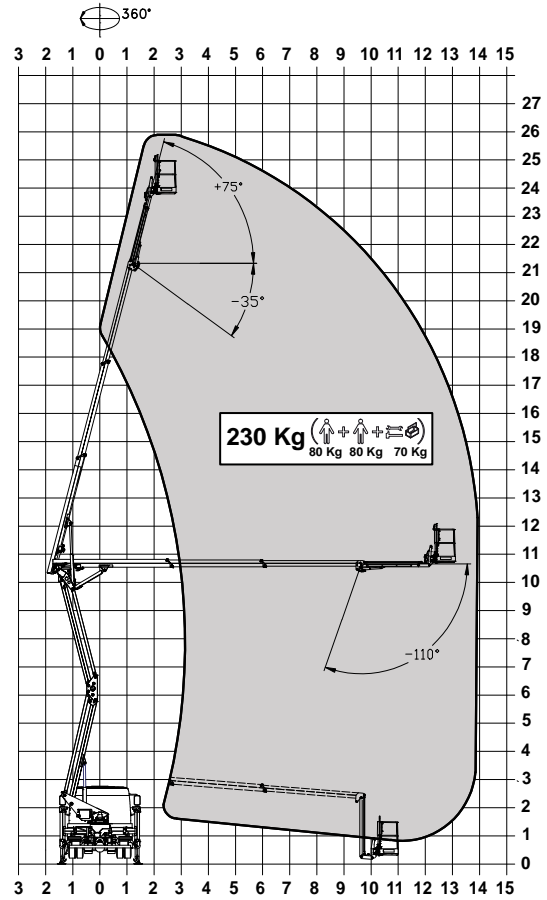
## DIMENSIONS



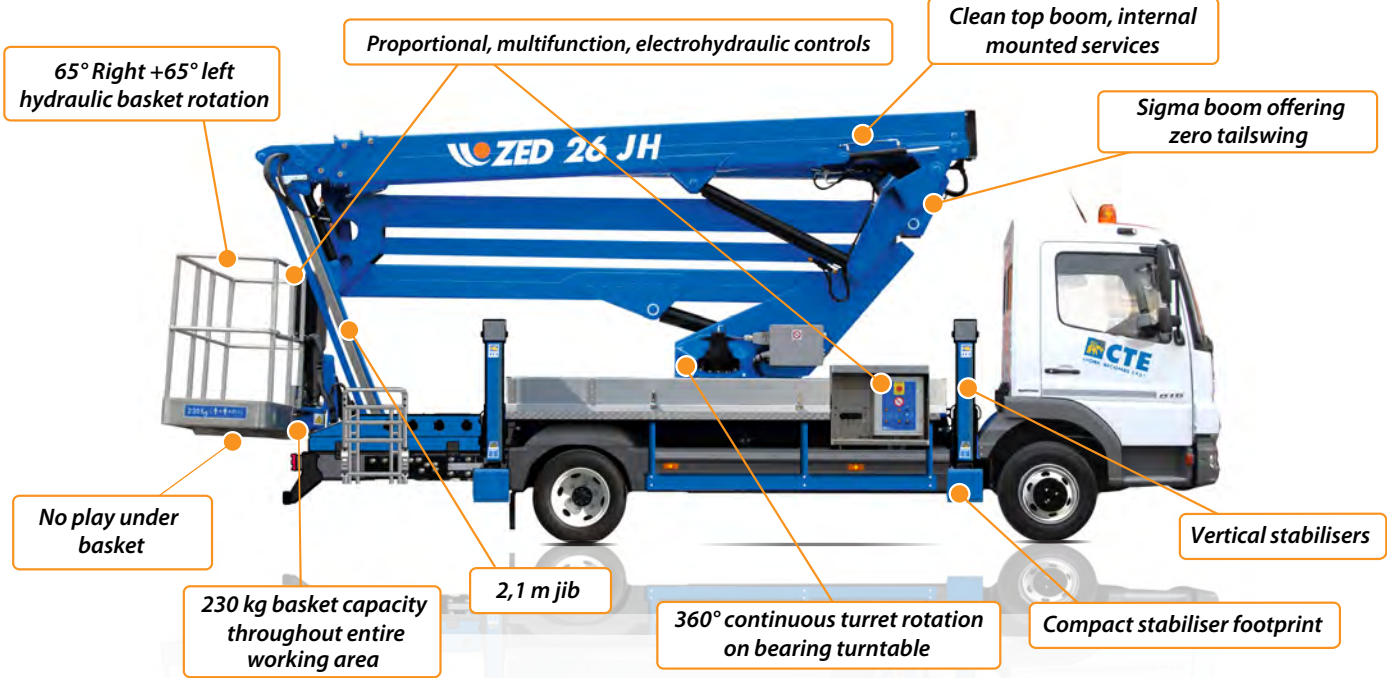
## OUTRIGGER FOOTPRINT



## WORKING ENVELOPE



## KEY POINTS



Product specifications are subject to change without notice or obligation. Technical features and drawings in this brochure are for illustrative purposes only. Z26H- ed 10/10 - EN



Fir Tree Farm  
Warmington  
Banbury  
Oxfordshire  
OX17 1JL

Junction Lane  
Sankey Valley Ind Est  
Newton-Le-Willows  
Merseyside  
WA12 8DN

0800 865 4455

info@hiresafesolutions.com

@HireSafeSol

facebook.com/hiresafesolutions

