

SPECIFICATION

ZED 20.2 H

TECHNICAL DATA

- Double pantograph + telescopic boom (main boom + one extension)
- Sigma boom movement enabled by connecting rods
- 640° turret rotation
- Proportional, electrohydraulic controls in basket and ground
- Engine start and stop controls from basket and ground
- Anti-slip, aluminium flatbed decking with tool tray walls
- Basket base in composite material with aluminium guardrails
- 65° right + 65° left hydraulic basket rotation
- Automatic hydraulically actioned basket levelling
- 4 hydraulic outriggers with ground pressure sensors
- Hydraulic system operated by vehicle's PTO
- Buzzer indicating PTO engaged
- Hour meter
- 230V AC CE electrical socket in the basket
- Standard boom colours blue (RAL 5017) or white (RAL 9003)
- CE Certified

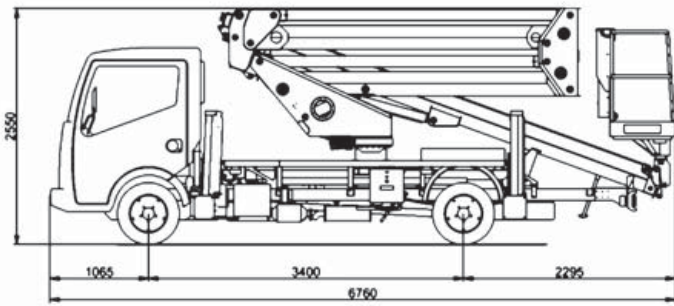
PERFORMANCE

Working height	20 m
Platform height	18 m
Working outreach	9,2 m
Capacity (2 people incl.)	230 / 300 kg*
Basket dim.	1400x700x1100 mm
GVW minimum	3,5 t

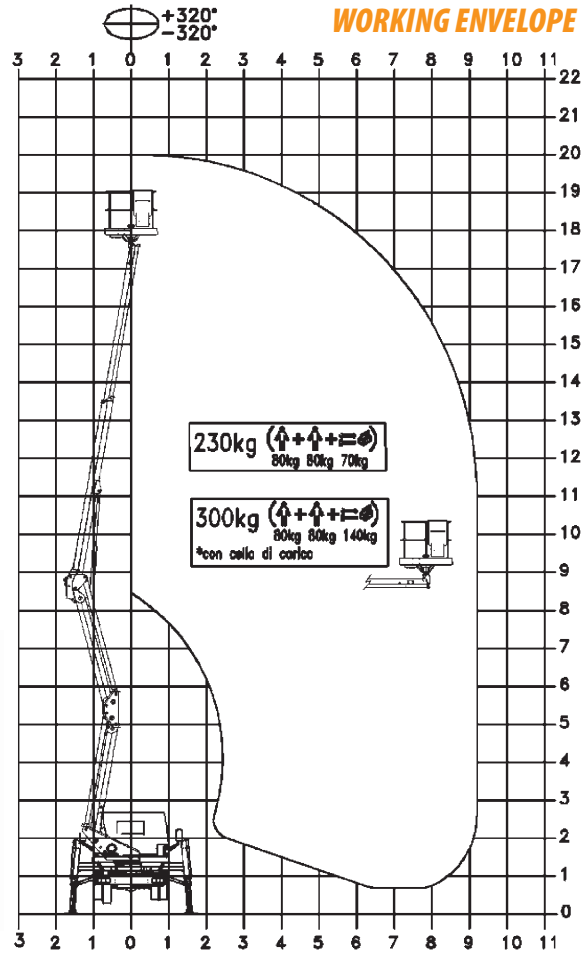
* With Load Cell. With VTR basket capacity 200/250 kg



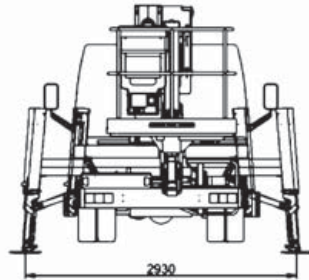
DIMENSIONS



WORKING ENVELOPE



OUTRIGGER FOOTPRINT



KEY POINTS



Product specifications are subject to change without notice or obligation. Technical features and drawings in this brochure are for illustrative purposes only. _ZED 20.2 H - ed. 10/12

Fir Tree Farm
Warmington
Banbury
Oxfordshire
OX17 1JL

Junction Lane
Sankey Valley Ind Est
Newton-Le-Willows
Merseyside
WA12 8DN

0800 865 4455
info@hiresafesolutions.com
@HireSafeSol
facebook.com/hiresafesolutions

